

TITAN VOLUMETRIC MIXER



**PARTS
MANUAL**

CONTACT INFORMATION

P: 905-304-3900 EXT. 241

1574 HWY #2 WEST

ANCASTER, ON L9G 4X2

1-888-337-3331

PARTS@BAY-LYNX.COM

Please contact a parts representative with your requests, and we will be happy to assist you!

Notes:

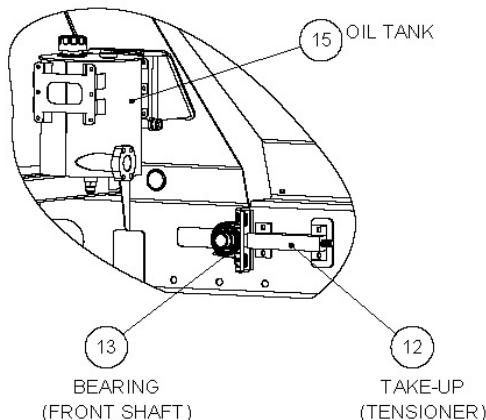
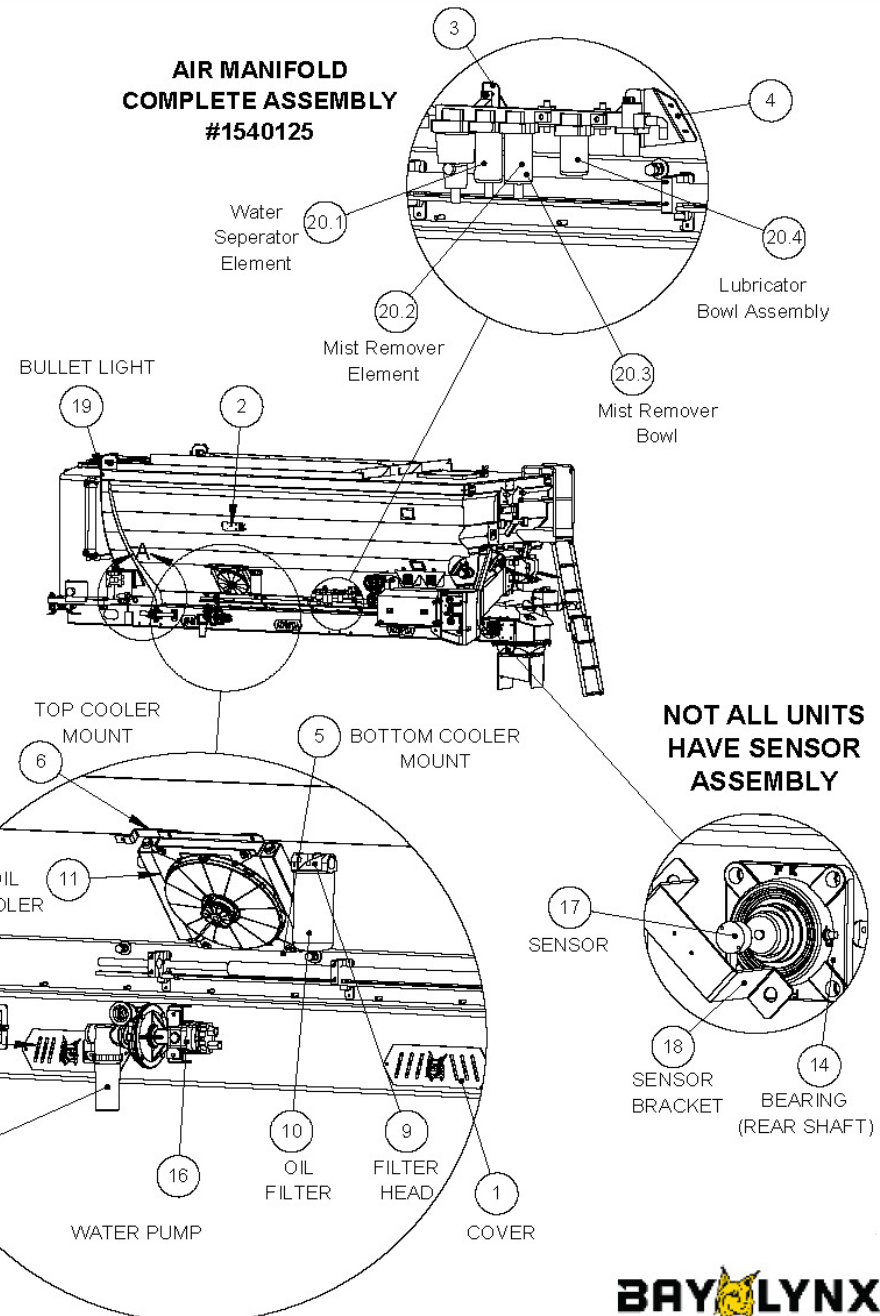
TABLE OF CONTENTS

PLEASE NOTE: STANDARD TITAN SHOWN IN THIS MANUAL, SMALLER OR CUSTOM MODELS MAY DIFFER SLIGHTLY

DESCRIPTION	PAGE
CONTACT	2
BODY COMPONENTS FRONT LEFT	4
BODY COMPONENTS RIGHT	6
VIBRATORS	7
METERING GATE ASSEMBLY	8
LADDER ASSEMBLY	9
REAR ELECTRICAL	10
REAR SUPPORTS	11
SKIRTING	12
CEMANT DRIVE SYSTEM	13
FEED CONVEYOR	16
LIFT ARM ASSEMBLY	18
MIX BOWL ASSEMBLY	19
MIX AUGER COMPONENTS	21
HYDRAULIC CHUTE	26
WATER TANK ASSEMBLY	27
CONTROL PANEL	29

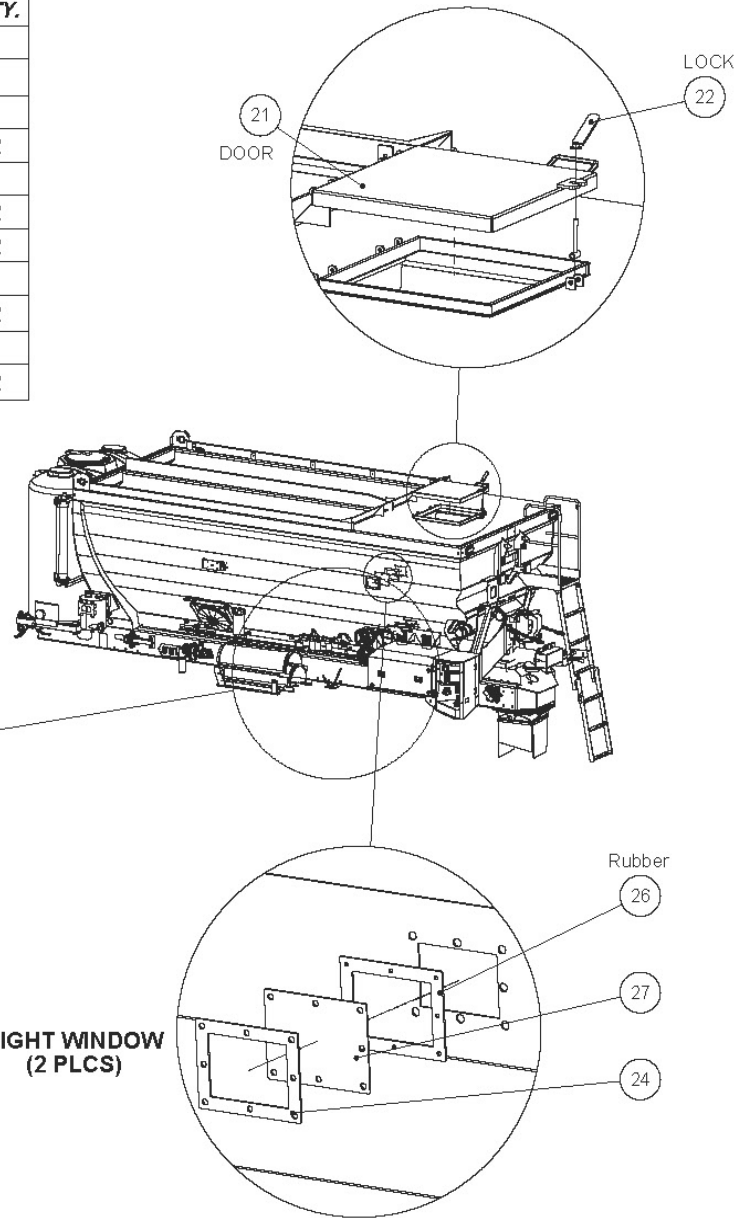
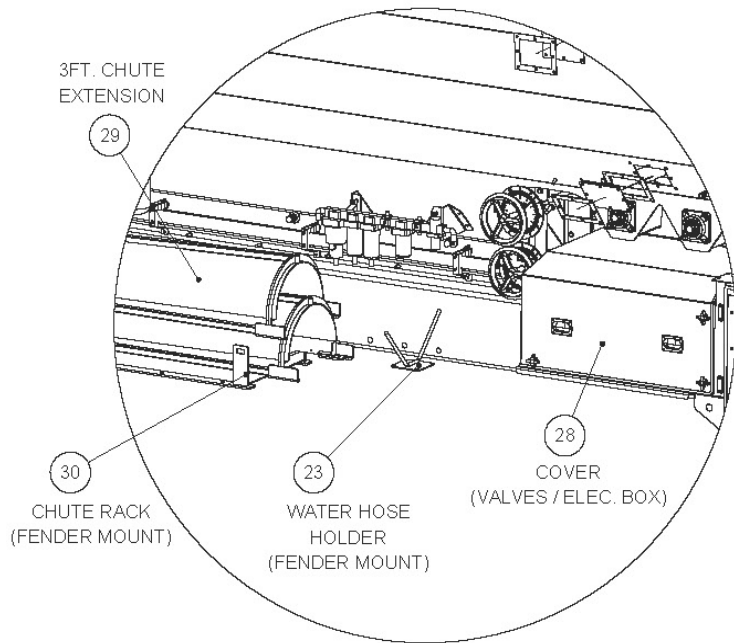
BODY COMPONENTS

ITEM NO.	PART NUMBER	DESCRIPTION	QTY.
1	AC557	COVER - INSPECTION HOLE	4
2	HM217-L	TARP BRACKET - LEFT	1
3	HM186-L	MANIFOLD BRACKET - LEFT	1
4	HM186-R	MANIFOLD BRACKET - RIGHT	1
5	HM132-B	COOLER MOUNT - LOWER	1
6	HM132-A	COOLER MOUNT - UPPER	1
7	AC557-1-L-ASM	GUARD/OILER NOZZLE MOUNT (LEFT)	1
8	1310000	WATER STRAINER - 1.50 NPT	1
9	1090175	HYDRAULIC FILTER HEAD	1
10	1090110	HYDRAULIC FILTER ELEMENT	1
11	1070160	SINGLE HYDRAULIC OIL COOLER	1
12	2010197	TELESCOPE TAKE-UP	1
13	2010132	1 3/4" PILLOW BLOCK BEARING	1
14	2010172	FLANGE BEARING - 2.00" BORE	1
15	1130505	OIL TANK - CYCLONE 40GPM	1
16	1110180	WATER PUMP - HYDRAULIC	1
17	1100466	SENSOR - JORAL SPEED SENSOR & PICKUP	1
18	1100225	JORAL SPEED SENSOR BRACKET - 2" SHAFT - FEED	1
19	1750420	AMBER BULLET LIGHT	1
20	1540125	AIR MANIFOLD (COMPLETE ASSEMBLY)	1
20.1	1570020	WATER SEPERATOR ELEMENT	1
20.2	1570022	MIST REMOVER ELEMENT	
20.3	1570023	MIST REMOVER BOWL	1
20.4	1570024	LUBRICATOR BOWL ASSEMBLY	1



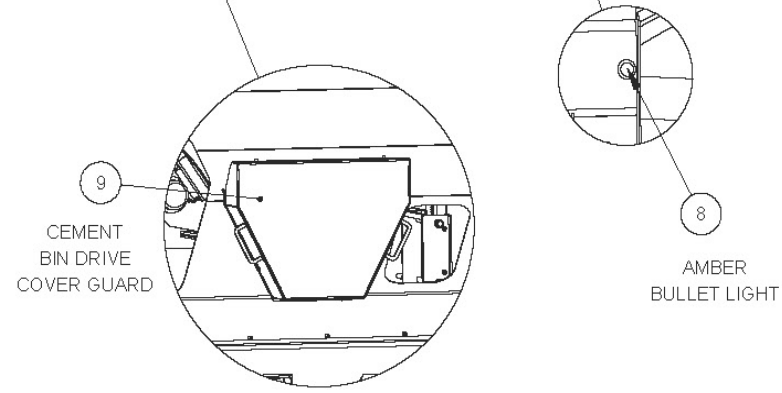
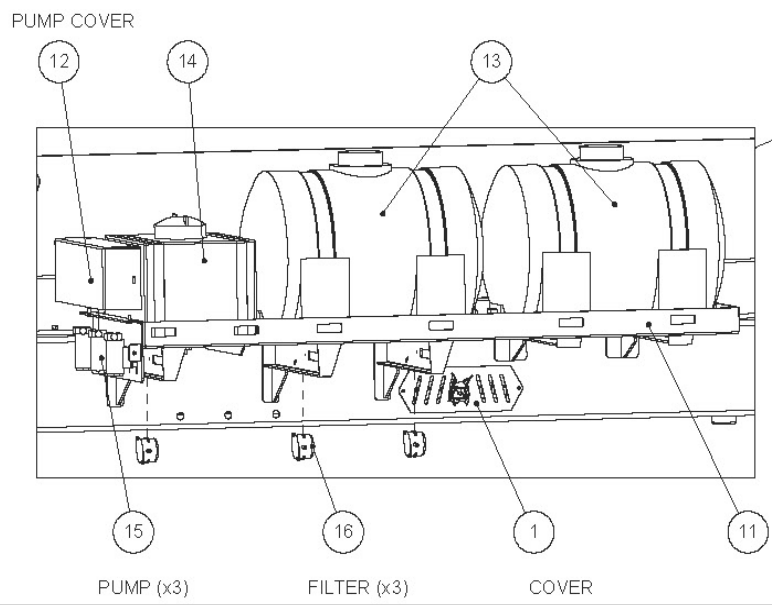
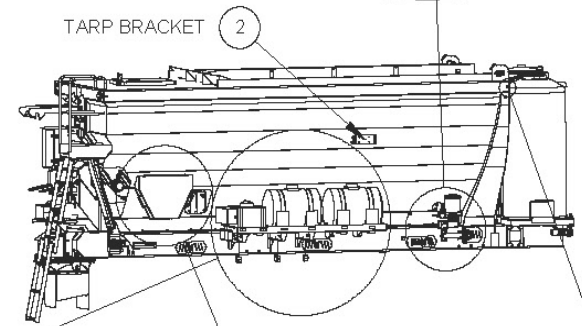
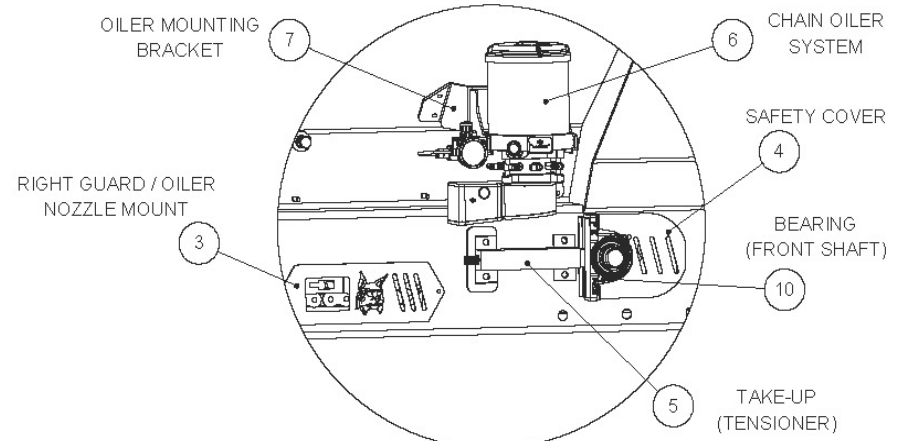
BODY COMPONENTS

ITEM NO.	PART NUMBER	DESCRIPTION	QTY.
21	CH119-ASM	LID DOOR - CEMENT HOPPER BIN	1
22	CH183-ASM	LOCK - HOPPER BIN DOOR	1
23	HM321-ASM	WATER HOSE HOLDER (FENDER MOUNT)	1
24	CH111	FRAME - SIGHT WINDOW SMALL	2
25	2010172	2" 4-BOLT FLANGE BEARING	1
26	2550331	RUBBER GASKET - SIGHT WINDOW SMALL (CH111-R)	2
27	2540201	SIGHT WINDOW - SMALL	2
28	HM565-ASM	TITAN VALVE BANK COVER	1
29	AF231-ASM	3FT. CHUTE EXTENSION - STEEL	2
30	MSC133-ASM	3FT. CHUTE RACK (FENDER MOUNT)	1
31	AF930-ASM	3 FT EXTENSION CHUTE - ALUM/POLY	2



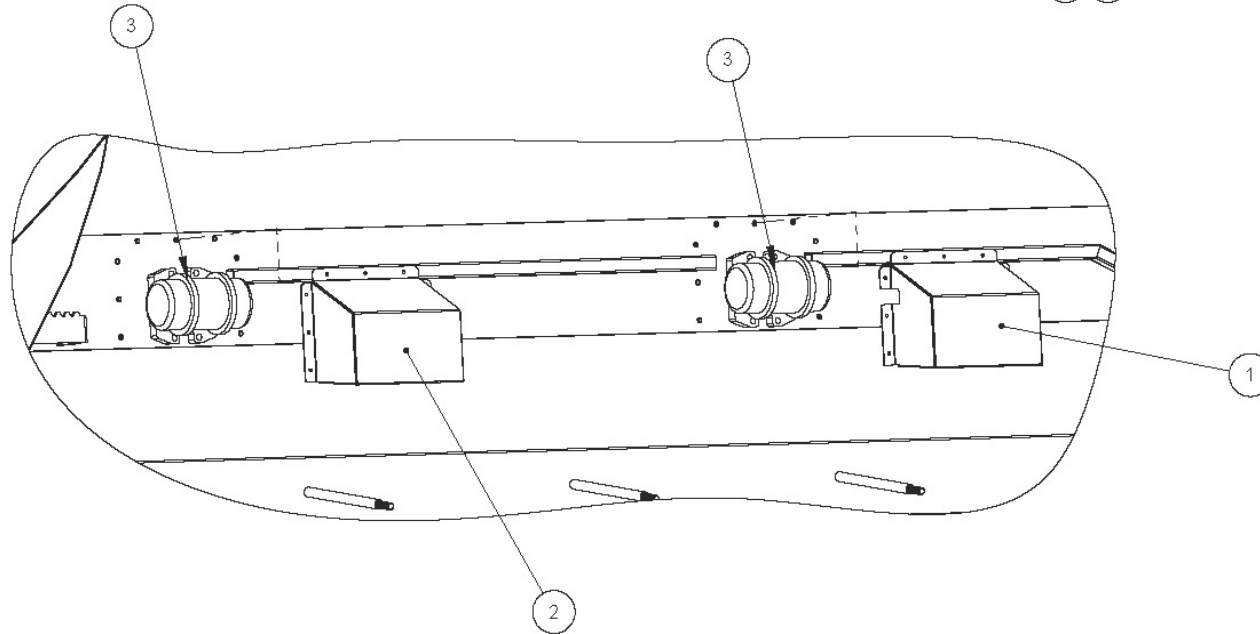
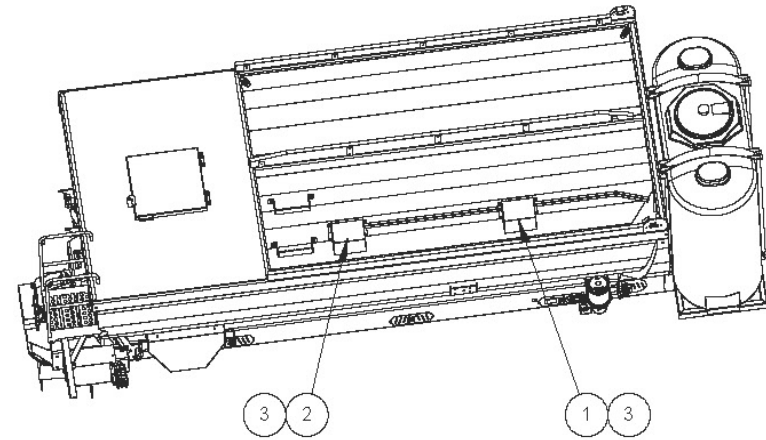
BODY COMPONENTS

ITEM NO.	PART NUMBER	DESCRIPTION	QTY.
1	AC557	UL + INSPECTION HOLE COVER	2
2	HM217-R	TARP BRACKET - RIGHT	1
3	AC557-1-R-ASM	GUARD / OILER NOZZLE MOUNT - RIGHT	1
4	HM209	SAFETY COVER	1
5	2010197	TELESCOPE TAKE-UP	1
6	4650100	OILER SYSTEM - MIXER 12V	1
7	HG218	OILER BRACKET	1
8	1750420	AMBER BULLET LIGHT - FRONT	1
9	HM585-ASM	TITAN CEMENT BIN SPROCKET GUARD	1
10	2010132	1 3/4" PILLOW BLOCK BEARING	1
11	HM420-ASM	ADMIX TRIPLE TANK HOLDER	1
12	HM700	ADMIX PUMPS COVER/GUARD	1
13	1310215	35G ADMIX TANK - CYLINDRICAL	2
14	1310212	16G ADMIX TANK - CAN-US	1
15	1320006	ADMIX PUMP - 12V LOW FLOW	3
16	1320007	ADMIX PUMP - 12V HIGH FLOW	
17	1310202	ADMIX INLINE FILTER	3



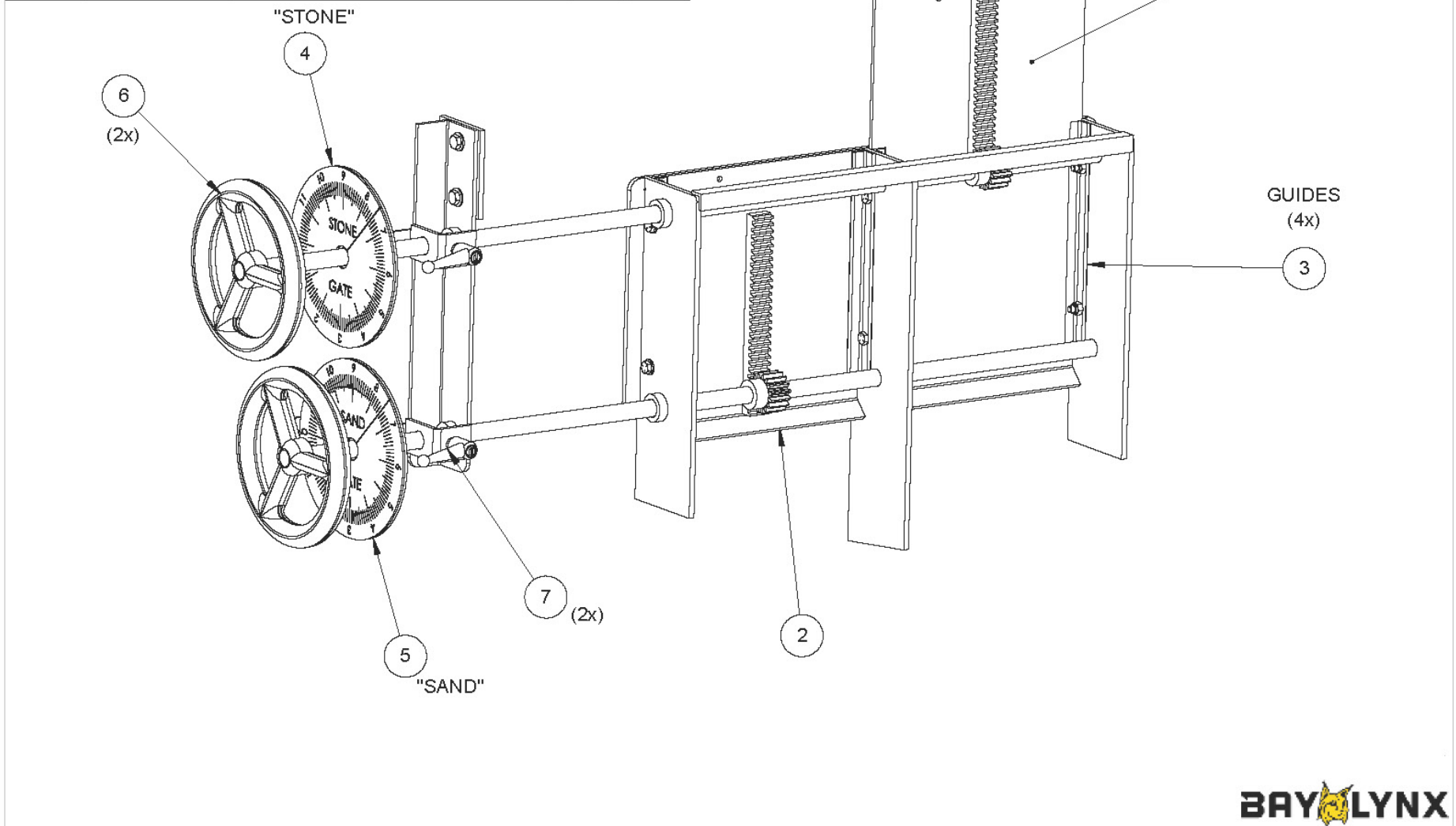
VIBRATORS

ITEM NO.	PART NUMBER	DESCRIPTION	QTY
1	HM260-FRONT-ASM	ELEC. VIBRATOR COVER BOX (PASS THROUGH)	1
2	HM260-REAR-ASM	ELEC. VIBRATOR COVER BOX (END UNIT)	1
3	1140109	ELECTRIC VIBRATOR - AGGREGATE BIN - 12V	2



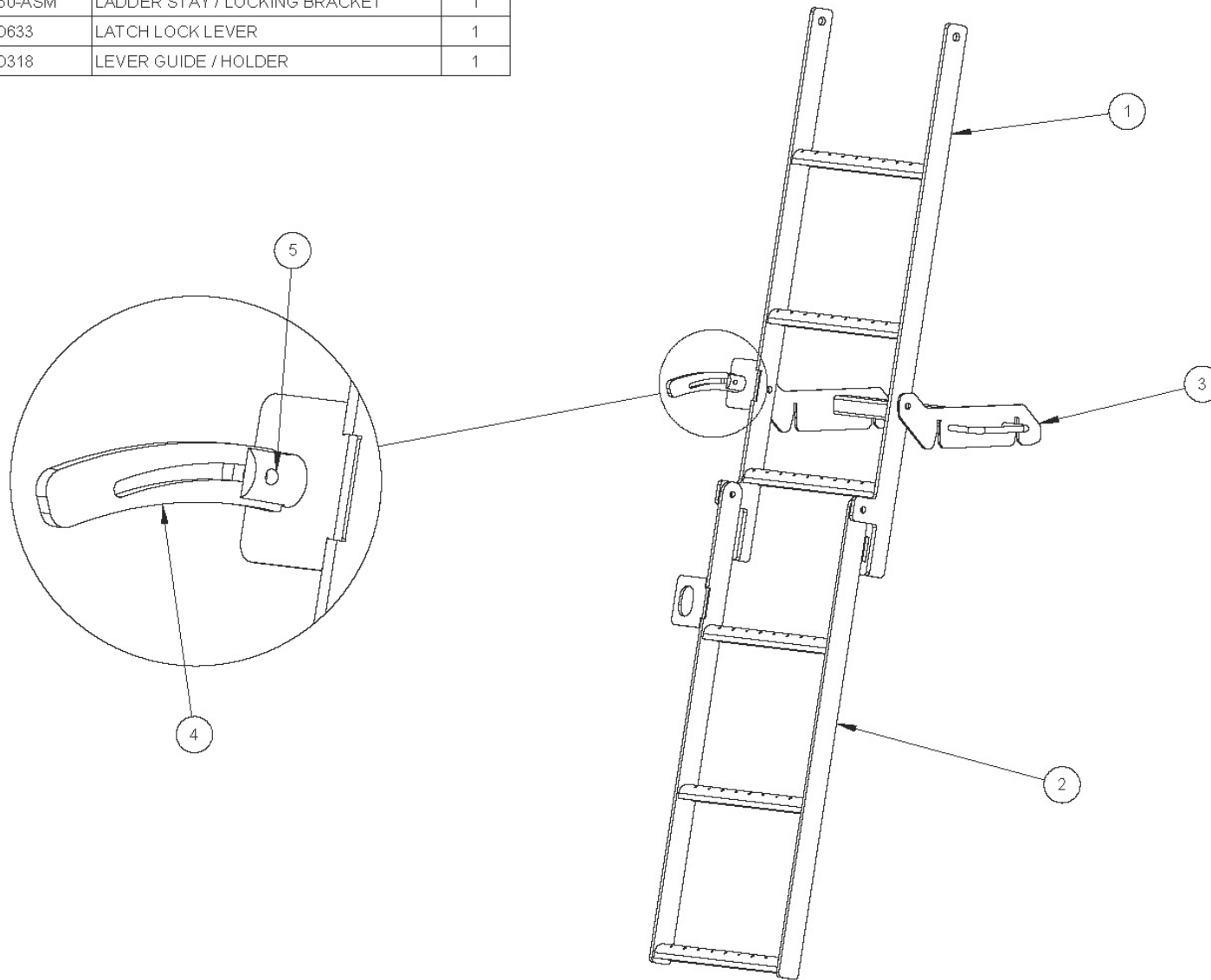
METERING GATE ASSEMBLY

ITEM NO.	PART NUMBER	DESCRIPTION	QTY
1	MG103-ASM	METER GATE DOOR - STONE	1
2	MG103-1-ASM	METER GATE DOOR - SAND	1
3	MG101	GATE DOOR GUIDES	4
4	4661006	METERING DECAL - STONE	1
5	4661005	METERING DECAL - SAND	1
6	1540190	HANDLE WHEEL	2
7	3090231	LOCKING HANDLE	2
8	5100010	LONG METERING GATE ROD WITH HANDLE (STONE)	1
9	51000011	SHORT METERING GATE ROD WITH HANDLE (SAND)	1



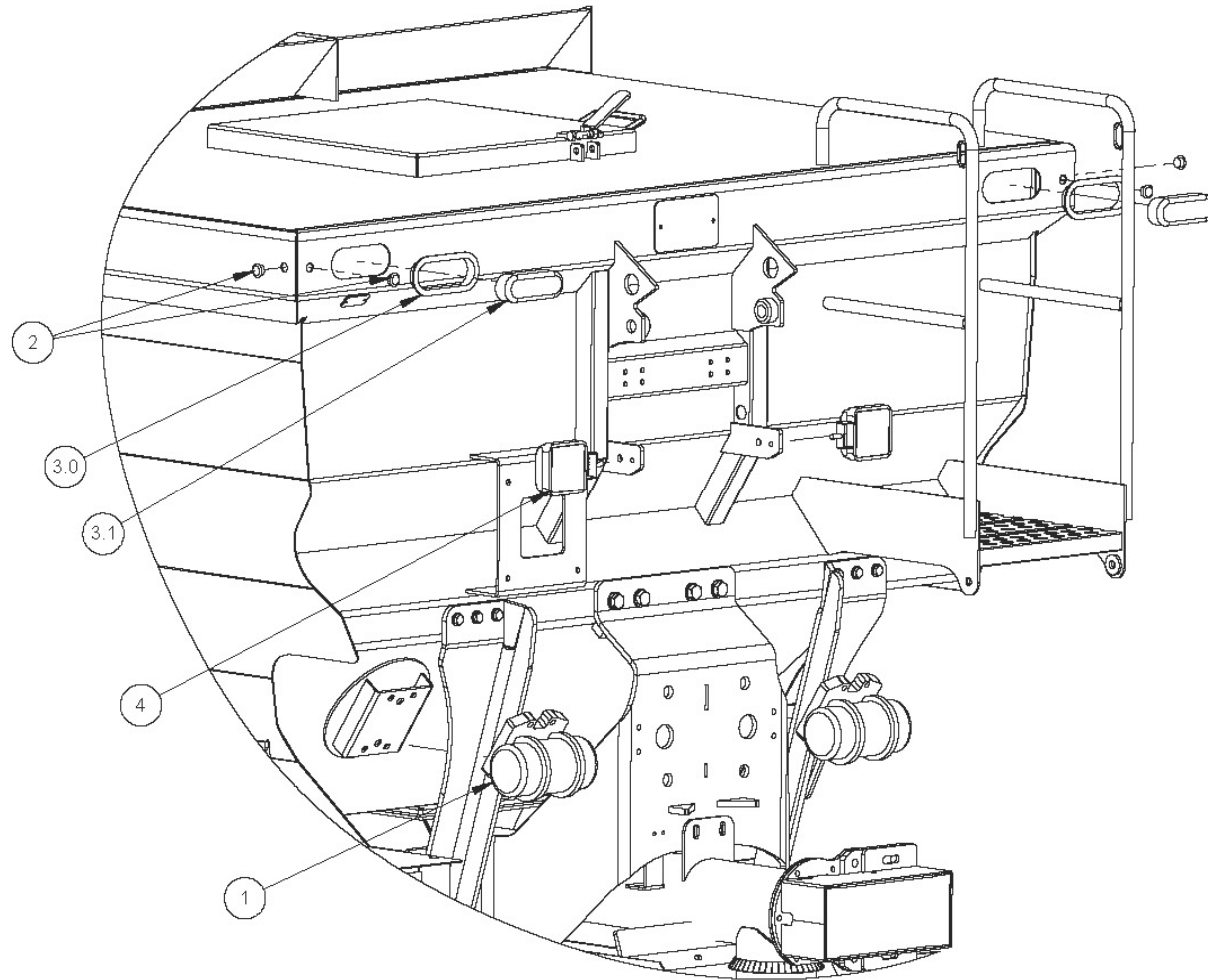
LADDER ASSEMBLY

ITEM NO.	PART NUMBER	DESCRIPTION	QTY
1	HM235-ASM	UPPER LADDER	1
2	HM245-ASM	LOWER FLIP DOWN LADDER	1
3	HM250-ASM	LADDER STAY / LOCKING BRACKET	1
4	LD633	LATCH LOCK LEVER	1
5	LD318	LEVER GUIDE / HOLDER	1



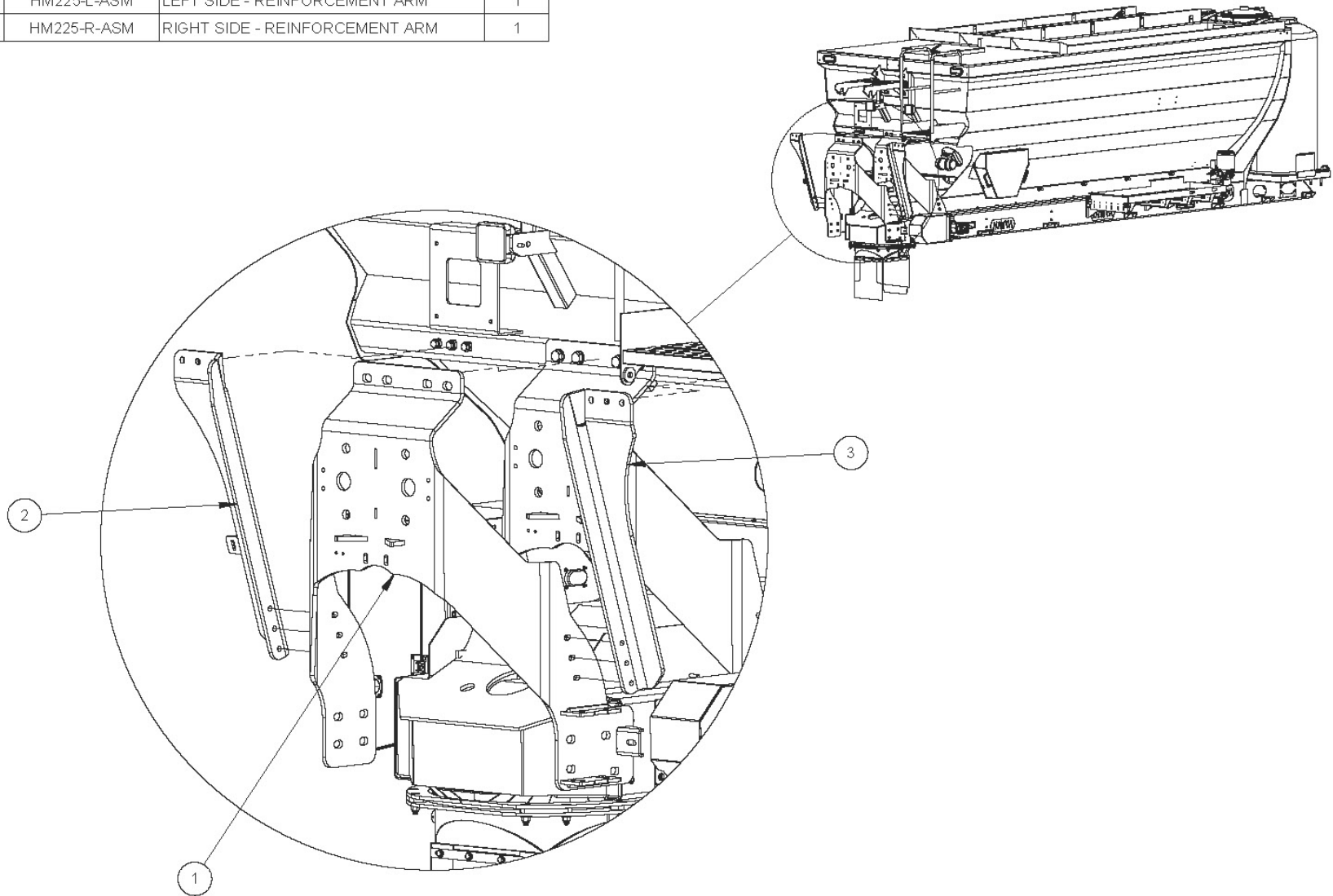
REAR ELECTRICAL

ITEM NO.	PART NUMBER	DESCRIPTION	QTY
1	1140109	ELECTRIC VIBRATOR - CEMENT BIN - 12V	2
2	1750415	BULLET LIGHT - RED	4
3.0	1750260	LAMP RUBBER GROMMET	2
3.1	1750400	LED WARNING LAMP	2
4	1750350	FLOOD LIGHT - 12V	2



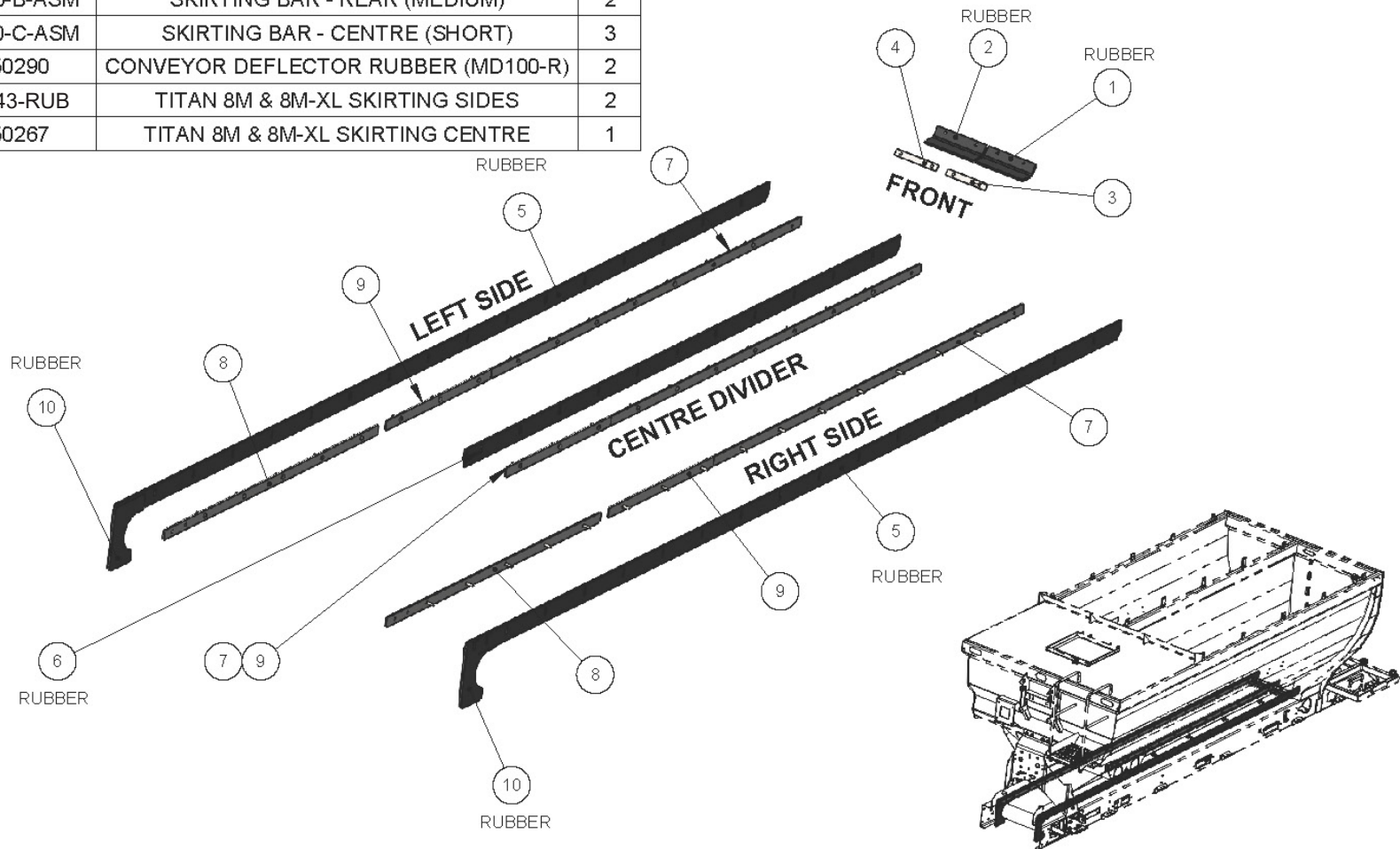
REAR SUPPORTS

ITEM NO.	PART NUMBER	DESCRIPTION	QTY
1	HM145-ASM	CENTRE SUPPORT / AUGER ARM MOUNT	1
2	HM225-L-ASM	LEFT SIDE - REINFORCEMENT ARM	1
3	HM225-R-ASM	RIGHT SIDE - REINFORCEMENT ARM	1

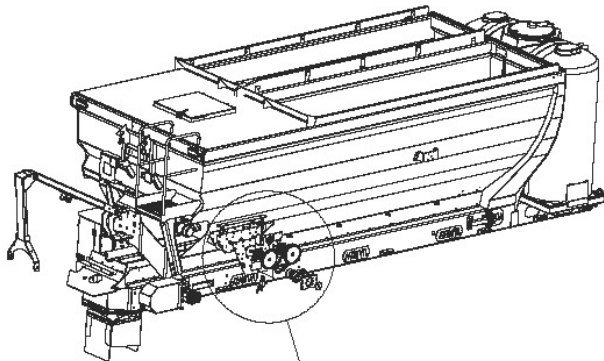


SKIRTING

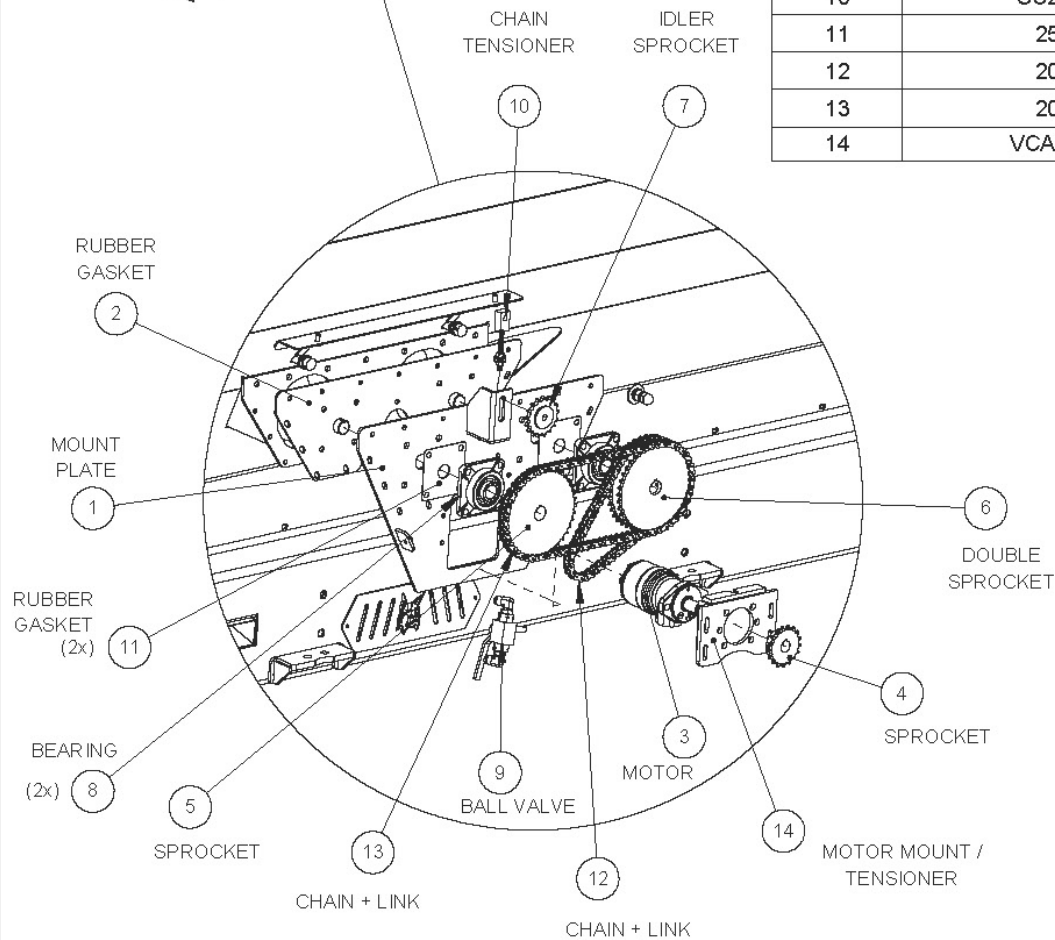
ITEM NO.	PART NUMBER	DESCRIPTION	QTY.
1	HM270-A-RUB	RUBBER - FRONT SCRAPER - RIGHT	1
2	HM270-B-RUB	RUBBER - FRONT SCRAPER - LEFT	1
3	HM271-A	FRONT SCRAPER BACKER BAR - RIGHT	1
4	HM271-B	FRONT SCRAPER BACKER BAR - LEFT	1
5	2550260 - R	RUBBER SKIRTING (LEFT & RIGHT)	2
6	2550261 - R	RUBBER SKIRTING (CENTRE DIVIDER)	1
7	HM730-A-ASM	SKIRTING BAR - FRONT (LONG)	3
8	HM730-B-ASM	SKIRTING BAR - REAR (MEDIUM)	2
9	HM730-C-ASM	SKIRTING BAR - CENTRE (SHORT)	3
10	2550290	CONVEYOR DEFLECTOR RUBBER (MD100-R)	2
11	HM543-RUB	TITAN 8M & 8M-XL SKIRTING SIDES	2
12	2550267	TITAN 8M & 8M-XL SKIRTING CENTRE	1



CEMENT BIN DRIVE

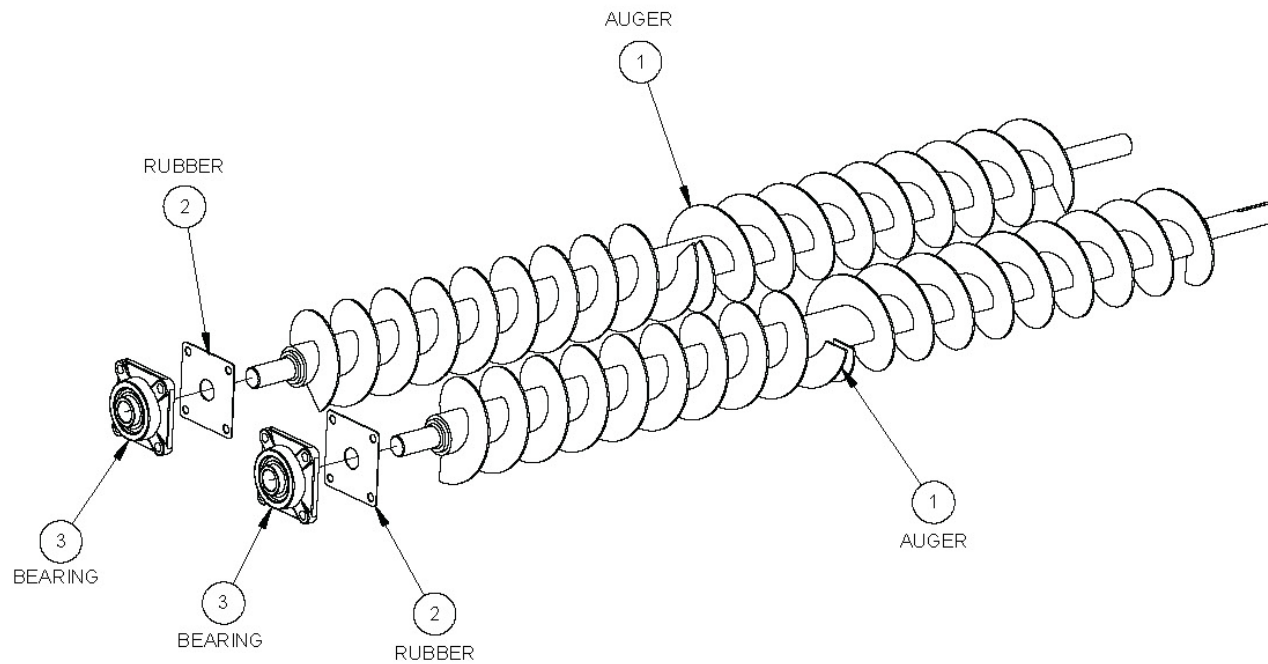
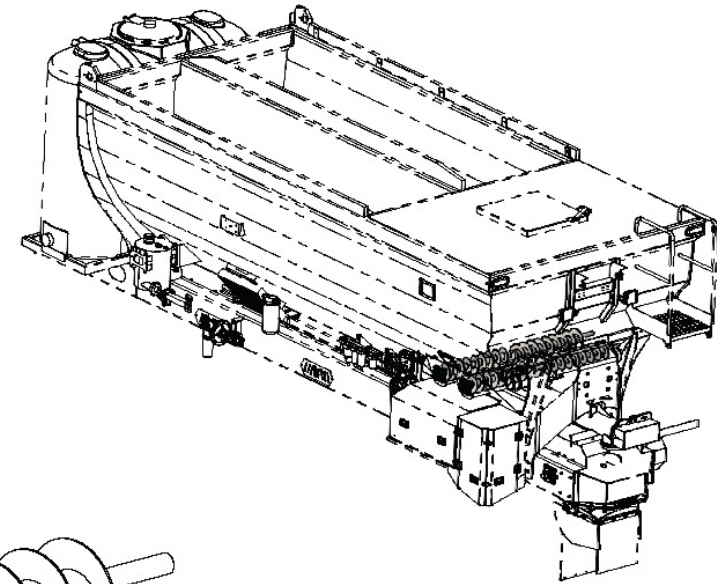


ITEM NO.	PART NUMBER	DESCRIPTION	QTY.
1	HM265-ASM	MOUNT PLATE - CEMENT BIN	1
2	HM138-RUB	RUBBER, CEMENT BIN GASKET	1
3	1100373	HYDRAULIC MOTOR- 1" SHAFT	1
4	2090360	SPROCKET, 50B17- 1" BORE	1
5	2090047	SPROCKET, 50B40- 1.25" BORE	1
6	2090049	DOUBLE SPROCKET, 50B40-1.25	1
7	2090220	IDLER SPROCKET, #50-17T	1
8	2010190	FLANGE BEARING - 1.25" BORE	2
9	1010559	VALVE, BALL - HIGH PRESSURE	1
10	SC205-ASM	CHAIN TENSIONER (BLOCK)	1
11	2550385	RUBBER GASKET - BEARING	2
12	2030520	#50 CHAIN	1
13	2030520	#50 CHAIN	1
14	VCA088-ASM	MOTOR MOUNT / TENSIONER	1



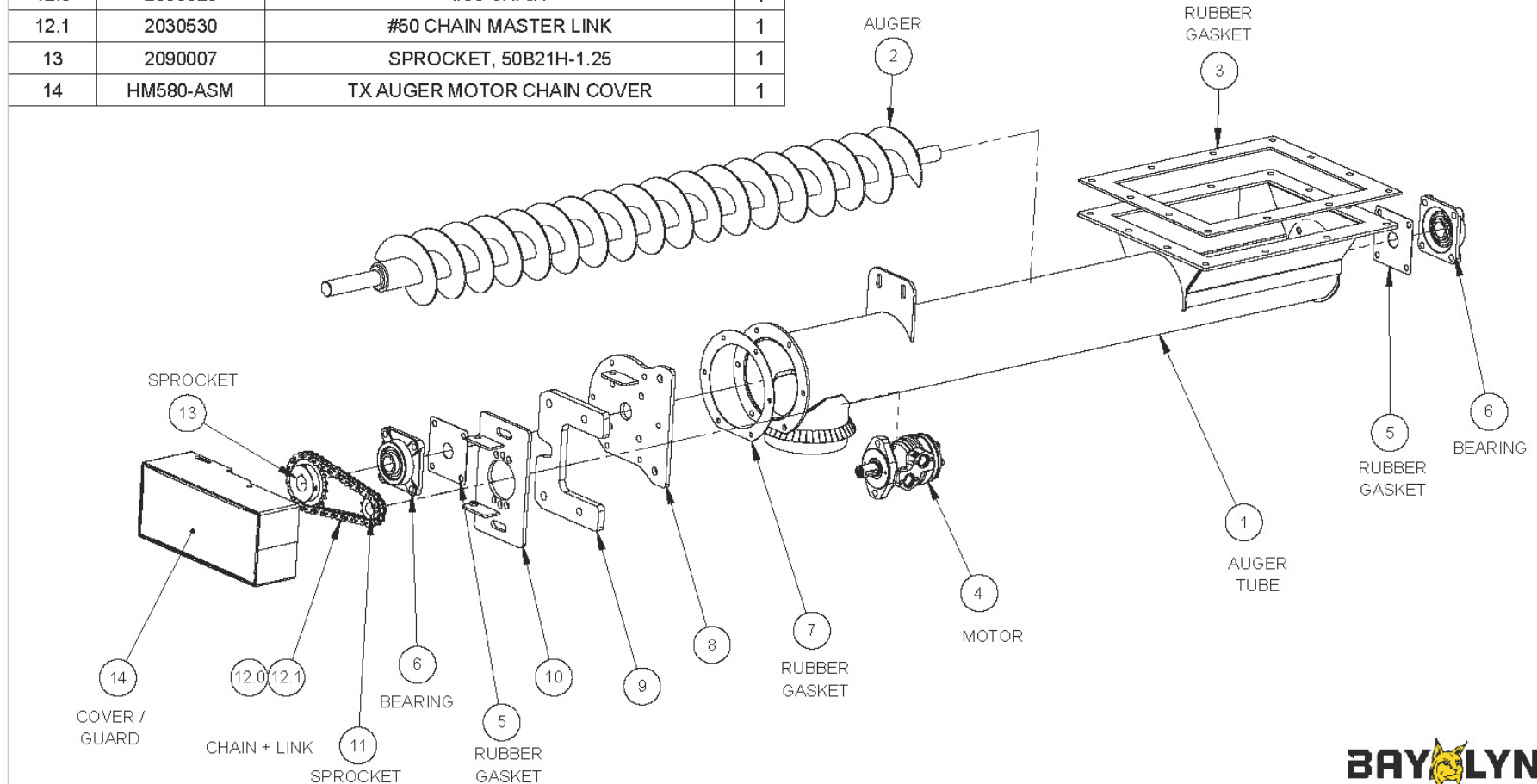
CEMENT AUGERS

ITEM NO.	PART NUMBER	DESCRIPTION	QTY
1	HM165-ASM	6" OD INTERNAL CEMENT BIN AUGER	2
2	2550385	RUBBER GASKET - BEARING	2
3	2010190	FLANGE BEARING - 1.25" BORE	2



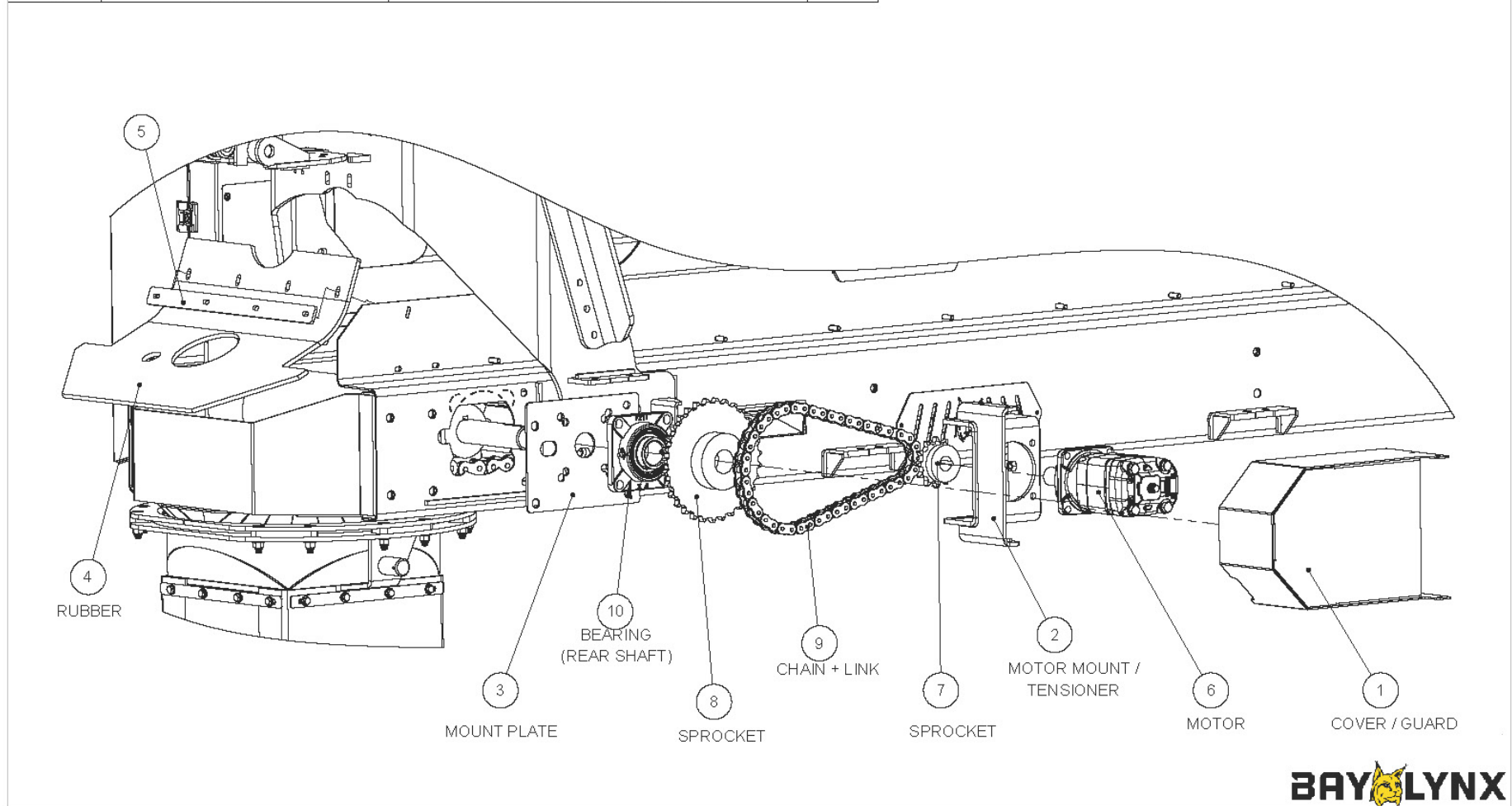
CEMENT AUGERS

ITEM NO.	PART NUMBER	DESCRIPTION	QTY.
1	HM720-ASM	TRANSITION AUGER HOUSING	1
2	HM180-ASM	6" TRANSITION AUGER	1
3	HM159-RUB	RUBBER GASKET, 16" x 20 1/2" x 3/16" Thick	1
4	1100384	TRANSFER AUGER MOTOR	1
5	2550385	RUBBER GASKET - 4 BOLT BEARING (CH165-R)	2
6	2010190	FLANGE BEARING	2
7	2550375	RUBBER GASKET - TX TUBE (CH116-R)	1
8	VCA072-R-ASM	RIGHT HAND MOTOR MOUNT	1
9	VCA064-ASM	TRANSITION AUGER - MOTOR MOUNT SPACER	1
10	VCA060-ASM	TX AUGER MOTOR MOUNT	1
11	2090043	SPROCKET, 50B11H-1.00	1
12.0	2030520	#50 CHAIN	1
12.1	2030530	#50 CHAIN MASTER LINK	1
13	2090007	SPROCKET, 50B21H-1.25	1
14	HM580-ASM	TX AUGER MOTOR CHAIN COVER	1



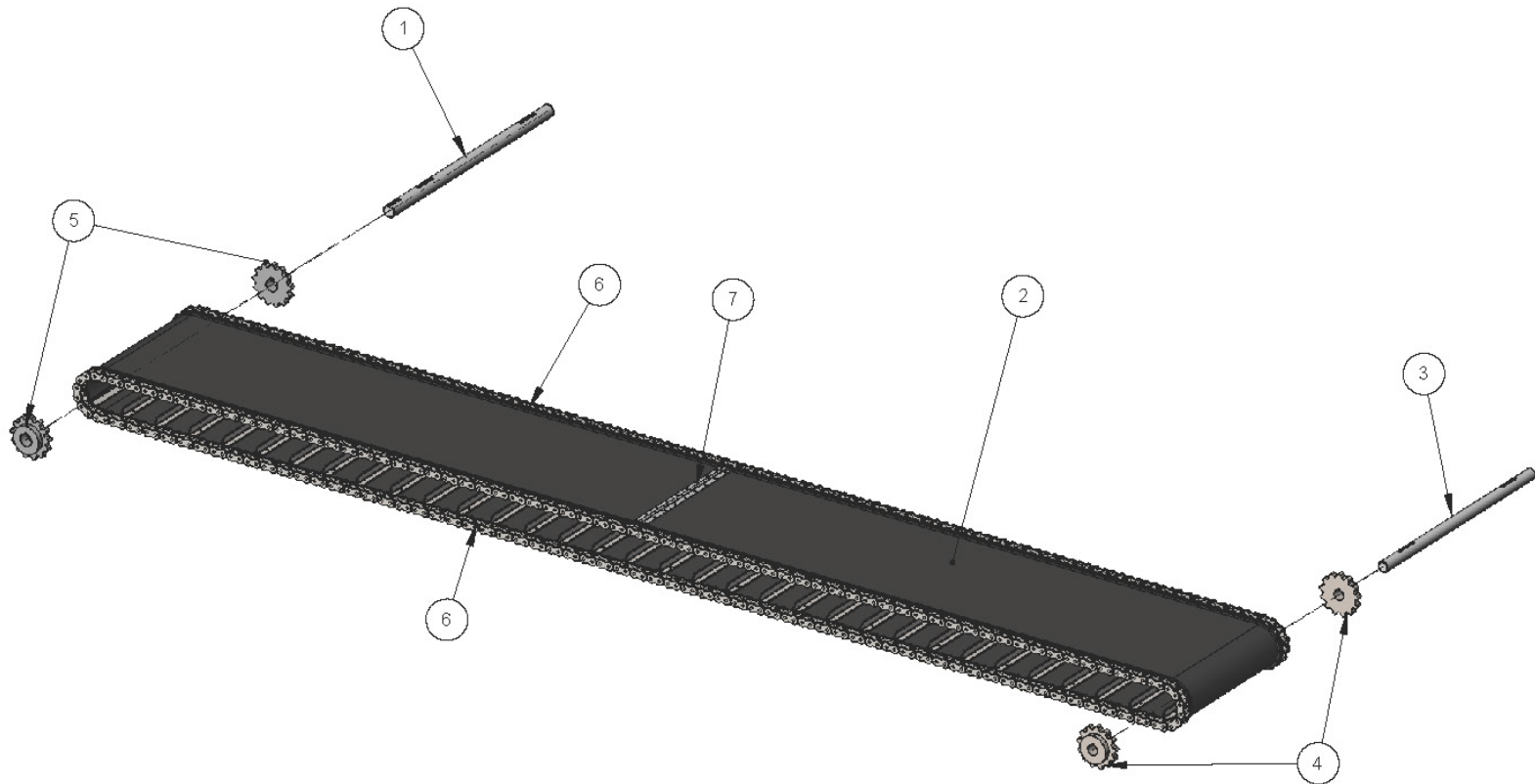
FEED CONVEYOR DRIVE

ITEM NO.	PART NUMBER	DESCRIPTION	QTY.
1	CG145-H-ASM-ALUM	CV SPROCKET GUARD	1
2	HM765-ASM	TITAN MIXER FEED MOTOR MOUNT	1
3	HM130	PL, 9 1/4" x 3/16"	1
4	HM185-RUB	RUBBER, 21 1/32" x 3/8" x 30 1/16"	1
5	HM205	PL, 1 1/2" x 1/4" x 22 1/4"L	1
6	1100374	FEED MOTOR - WITH SENSOR	1
7	2090241	SPROCKET, 80B12-1.25	1
8	2090251	SPROCKET, 80B31-2.000	1
9	2030550	#80 Chain, 46" MIN. LENGTH	1
10	2010172	2" 4-BOLT FLANGE BEARING	1



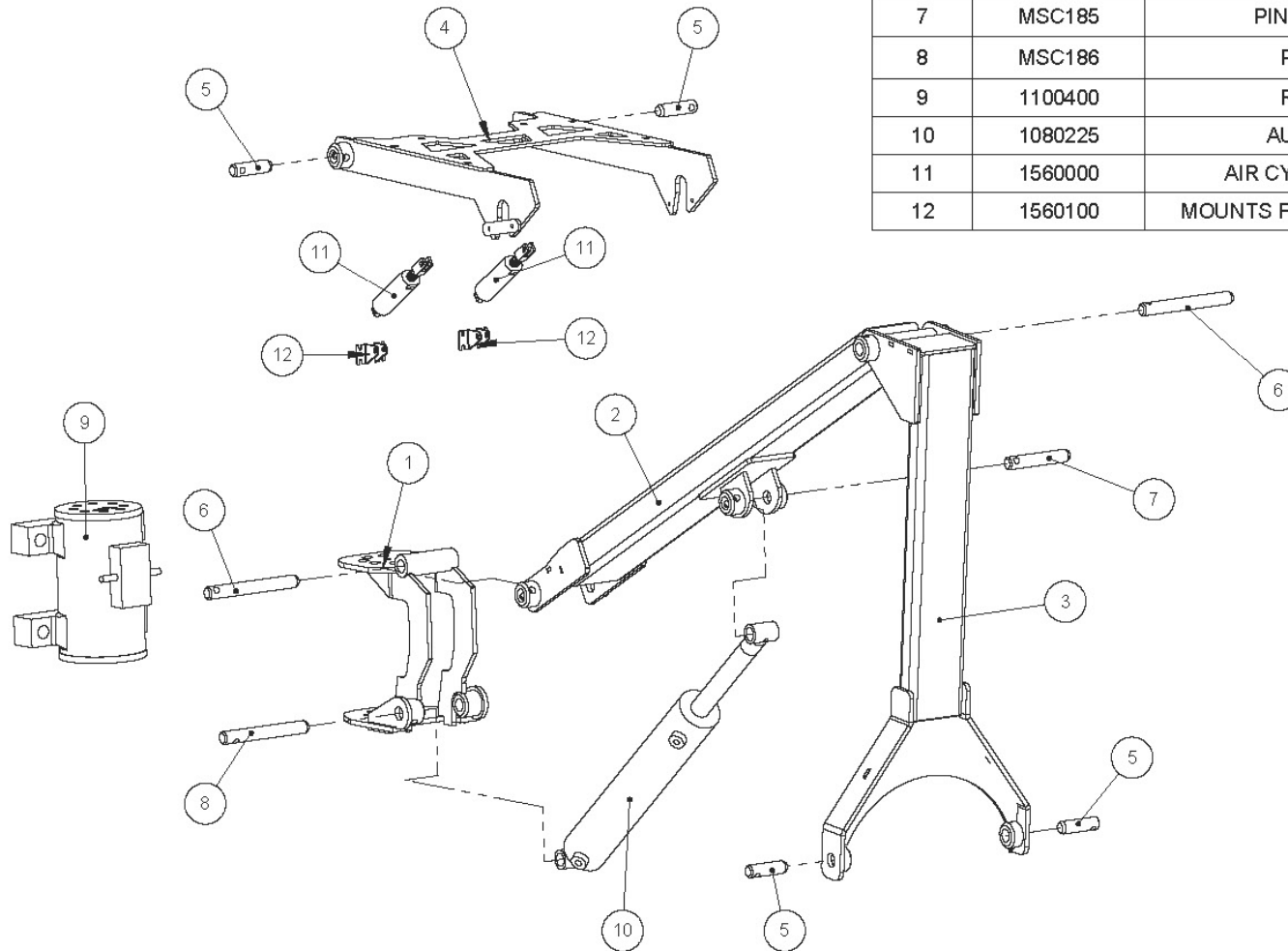
BELT-OVER-CHAIN ASSEMBLY

ITEM NO.	PART NUMBER	DESCRIPTION	QTY.
1	HM313-2.0	DRIVE SHAFT, 2.00" OD	1
2	2510295	CONVEYOR BELT ASSEMBLY - 8M60 TITAN	1
3	HM311	IDLER SHAFT, 1.75" OD X	1
4	2090111-M	SPROCKET, 120B13-1.750	2
5	2090114-M	SPROCKET, 120B13-2.000	2
6	HM305	#120 CHAIN - MINIMUM 402" Length	2
7	BLH001-ASM	BELT LACER HINGE	1



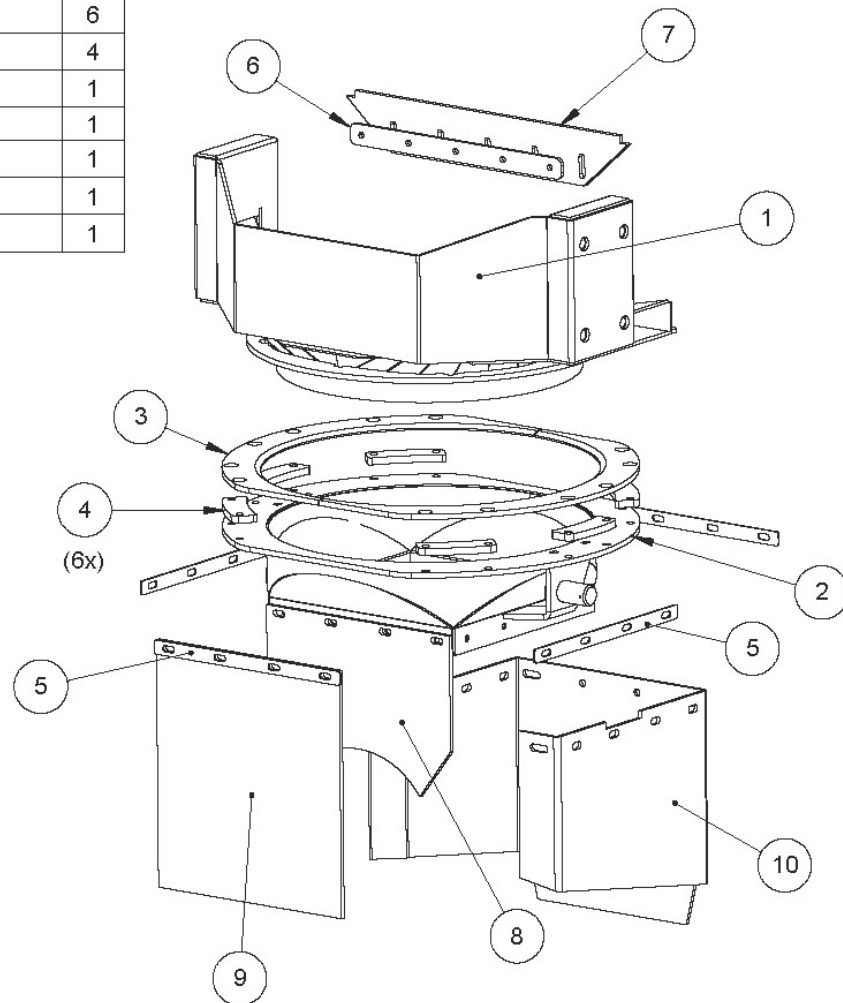
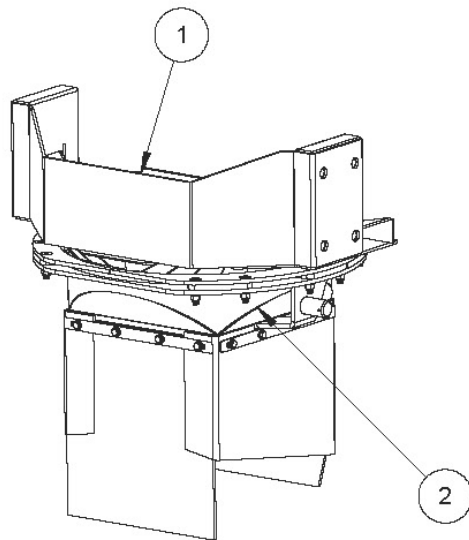
LIFT ARM ASSEMBLY

ITEM NO.	PART NUMBER	DESCRIPTION	QTY.
1	SW150-ASM	TIGHT-STOW ACTUATOR BRACKET	1
2	SW210-ASM	TIGHT-STOW AUGER LIFT ARM - 1ST STAGE	1
3	SW170-ASM	TIGHT-STOW AUGER LIFT ARM - 2ND STAGE	1
4	HM255-ASM	TITAN SECURE HOOK	1
5	MSC183	PIN - SECURE HOOK / AUGER	4
6	MSC184	PIN - CYLINDER LIFT - FIRST STAGE	2
7	MSC185	PIN - CYLINDER ROD END	1
8	MSC186	PIN - LIFT CYLINDER	1
9	1100400	ROTARY ACTUATOR	1
10	1080225	AUGER LIFT CYLINDER	1
11	1560000	AIR CYLINDER - SECURE HOOK	2
12	1560100	MOUNTS FOR AIR CYLINDER (SET OF 2)	2



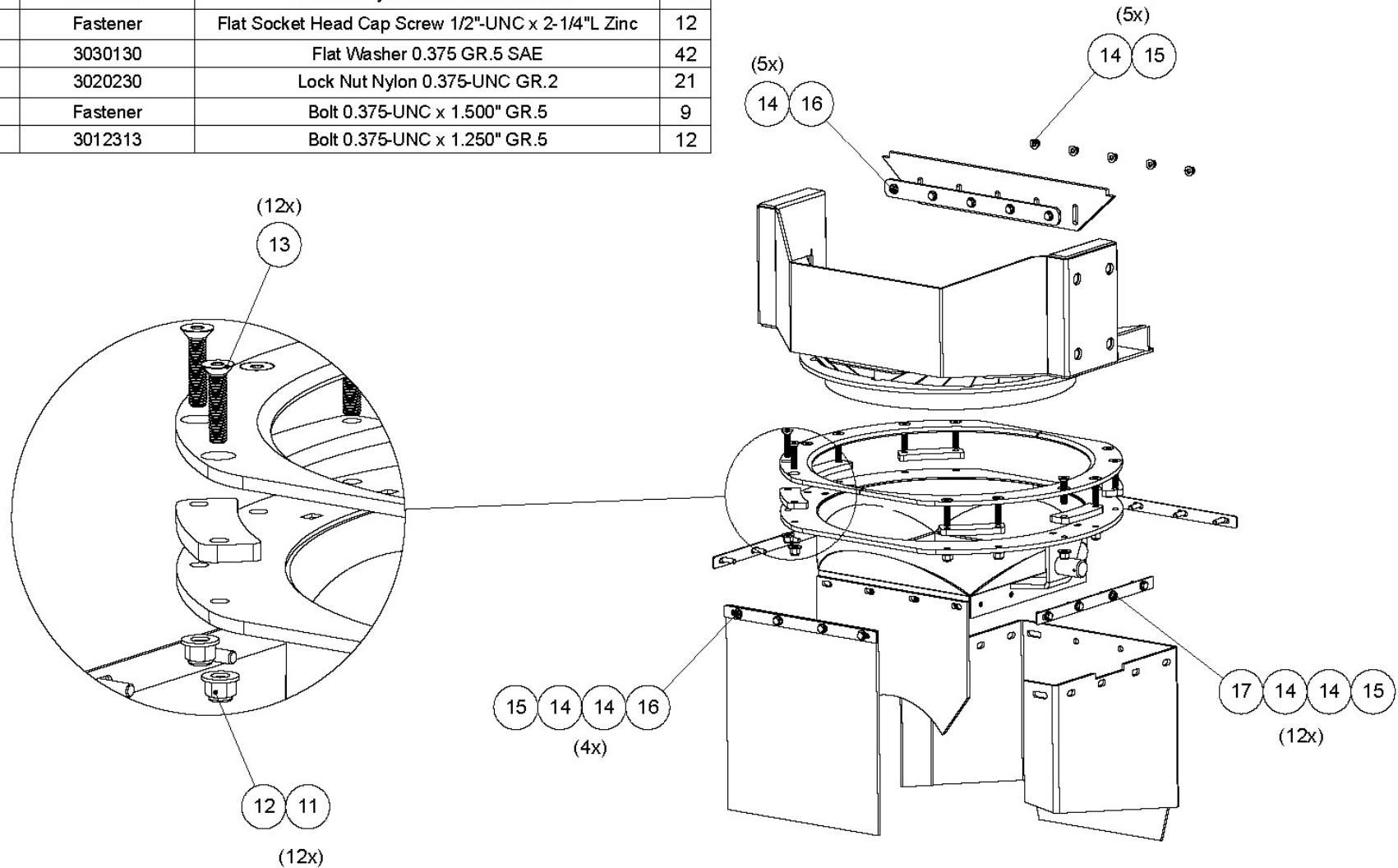
MIX BOWL ASSEMBLY

ITEM NO.	PART NUMBER	DESCRIPTION	QTY.
1	HM201-ASM	UPPER MIX BOWL	1
2	MD400-ASM	LOWER MIX BOWL	1
3	MD407	UPPER PIVOT RING PLATE	2
4	MD413	SPACER PLATE	6
5	MD418	KEEPER PLATE FOR RUBBER	4
6	MD163	BACKING PLATE FOR SCRAPER RUBBER	1
7	2550301	RUBBER, 4" x 2 PLY 220	1
8	MD416-RUB	RUBBER, FRONT "INNER"	1
9	MD436-RUB	RUBBER, FRONT "OUTER"	1
10	MD440-RUB	RUBBER, REAR AND SIDES	1



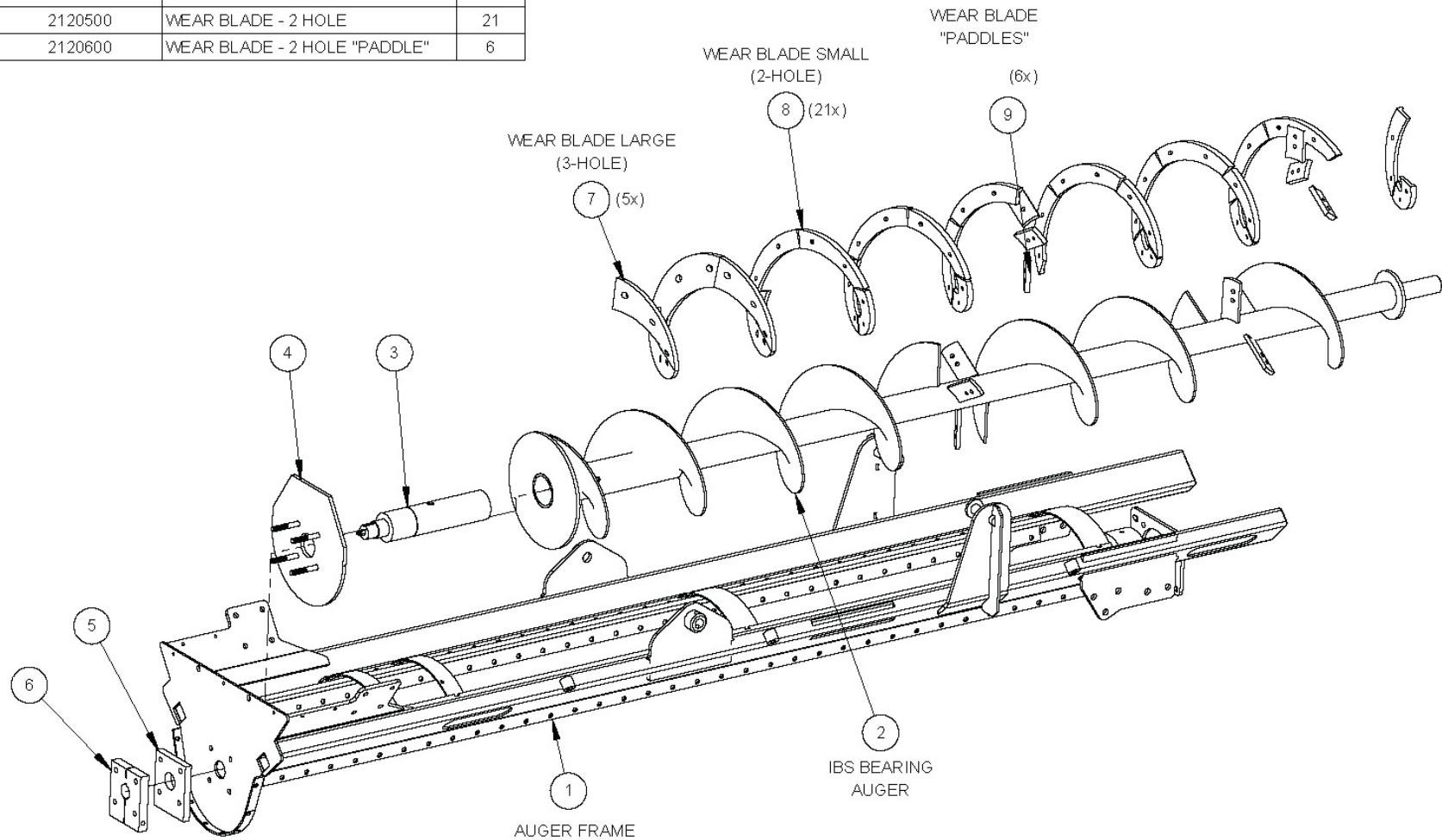
MIX BOWL

ITEM NO.	PART NUMBER	DESCRIPTION	QTY.
11	Fastener	Flat Washer 0.500 GR.8 Z SAE	12
12	Fastener	Lock Nut Nylon 0.500-UNC GR.8 Z	12
13	Fastener	Flat Socket Head Cap Screw 1/2"-UNC x 2-1/4"L Zinc	12
14	3030130	Flat Washer 0.375 GR.5 SAE	42
15	3020230	Lock Nut Nylon 0.375-UNC GR.2	21
16	Fastener	Bolt 0.375-UNC x 1.500" GR.5	9
17	3012313	Bolt 0.375-UNC x 1.250" GR.5	12



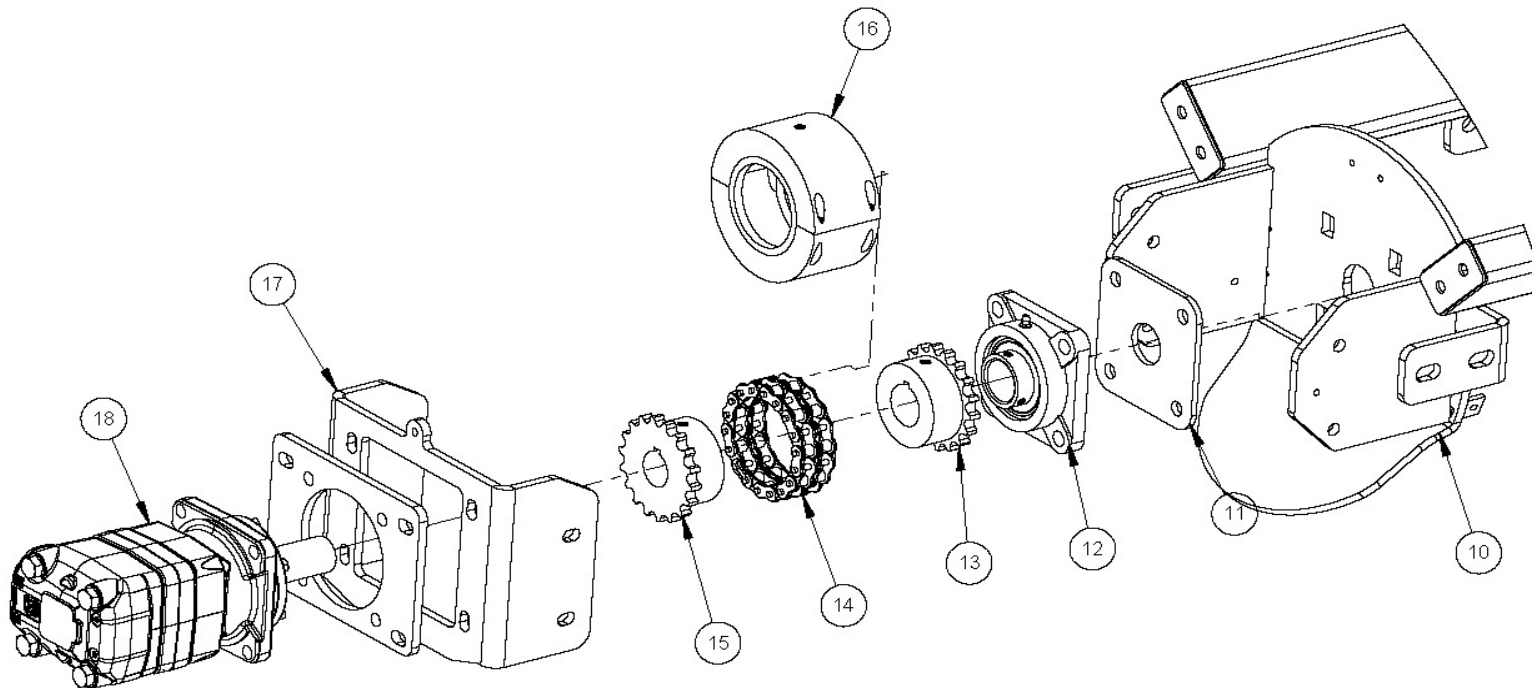
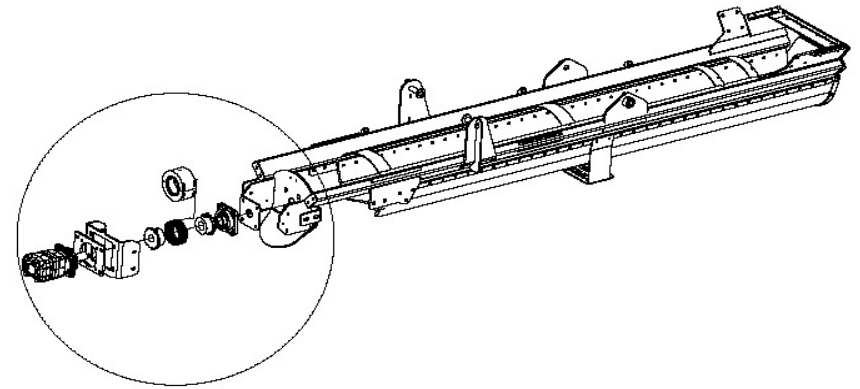
MIX AUGER

ITEM NO.	PART NUMBER	DESCRIPTION	QTY
1	AF425-ASM	AUGER FRAME	1
2	IBS100-ASM	AUGER	1
3	IBS001-ASM-BL	INTERNAL BEARING SYSTEM	1
4	IBS012-ASM	REAR MOUNT PLATE	1
5	IBS008	RUBBER SEAL	1
6	IBS009	RETAINING PLATE	1
7	2120400	WEAR BLADE - 3 HOLE	5
8	2120500	WEAR BLADE - 2 HOLE	21
9	2120600	WEAR BLADE - 2 HOLE "PADDLE"	6



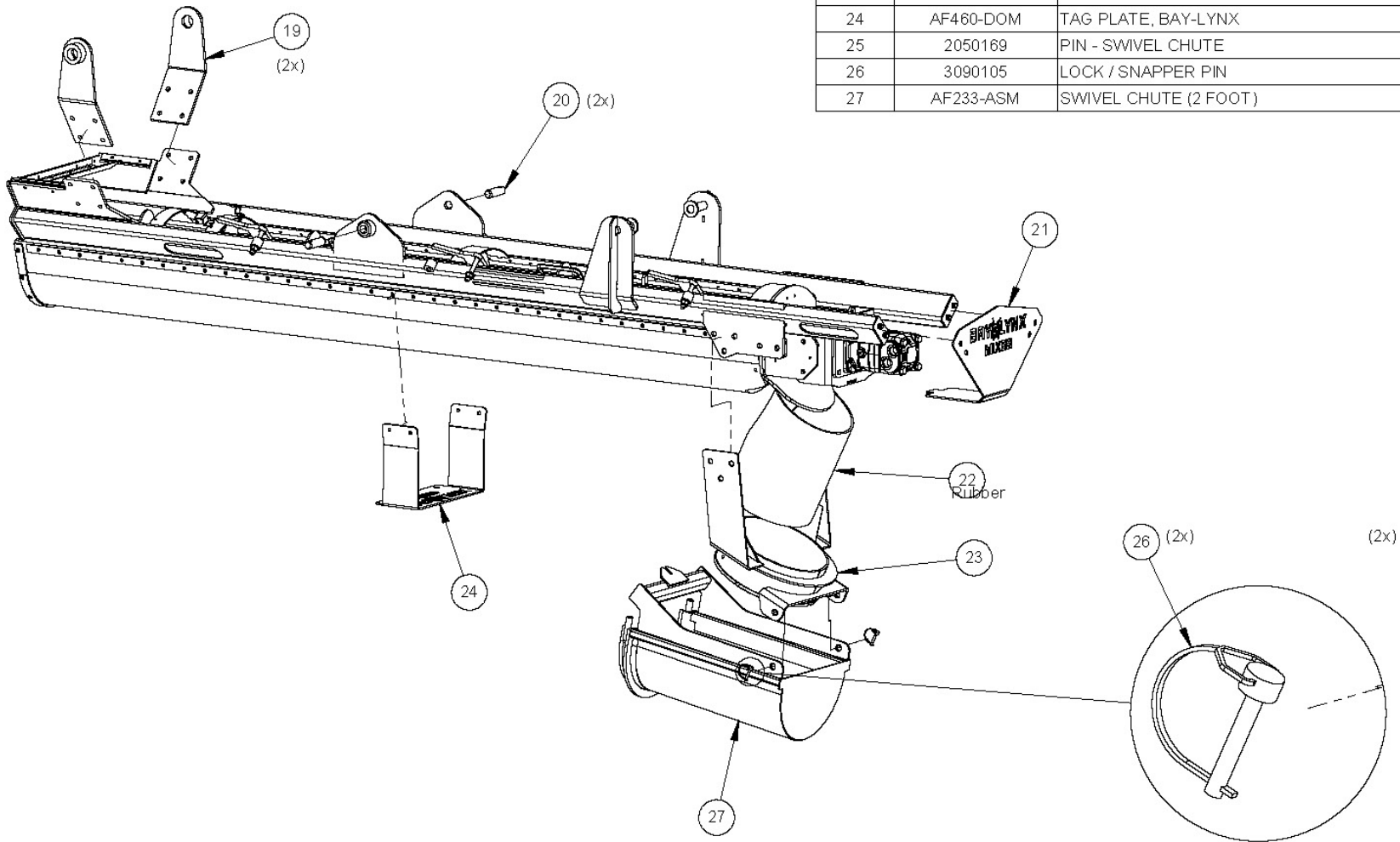
MIX AUGER

PART NUMBER	DESCRIPTION	QTY
AF445-ASM	AUGER BEARING MOUNT	1
AF562	UHMW PLATE	1
2010170	FLANGE BEARING - 1.75" BORE	1
2090305	SHAFT COUPLING - FOR 1-3/4" SHAFT	1
2090310	ROLLER CHAIN FOR SHAFT COUPLING	1
2090306	SHAFT COUPLING - FOR 1-1/2" SHAFT	1
2090315	PLASTIC COVER FOR SHAFT COUPLING	1
AF447	MOTOR SLIDE PLATE	1
1100392	HYDRAULIC MOTOR, MIX AUGER	1



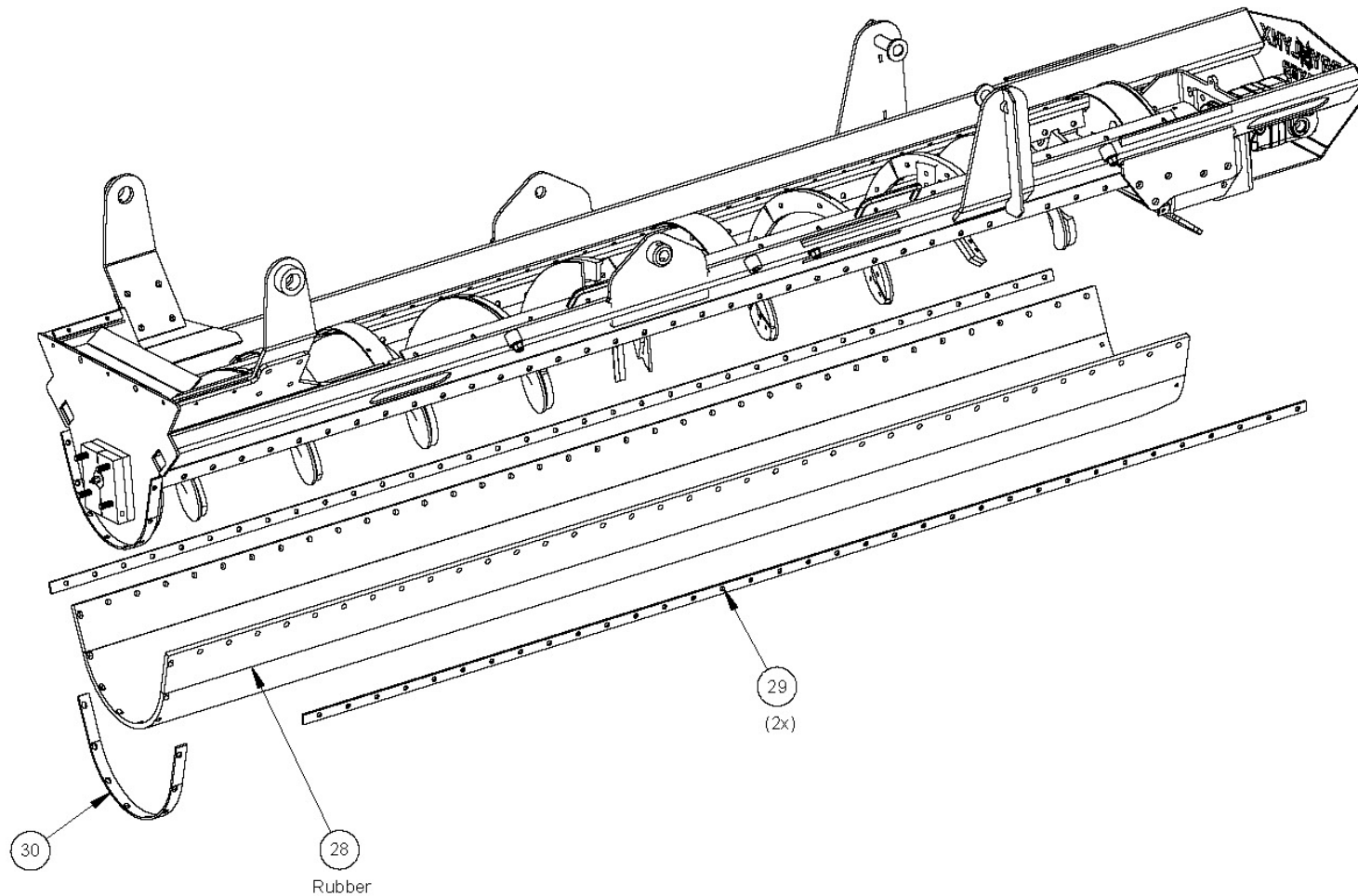
MIX AUGER

ITEM NO.	PART NUMBER	DESCRIPTION	QTY
19	AF443-ASM	DISCHARGE BRACKETS	2
20	MSC183	PIN - SECURE HOOK / AUGER CONNECTION	2
21	AF450	MOTOR GUARD END PLATE	1
22	2550310	RUBBER, SWIVEL	1
23	AF200-ASM	SWIVEL CHUTE MOUNT	1
24	AF460-DOM	TAG PLATE, BAY-LYNX	1
25	2050169	PIN - SWIVEL CHUTE	2
26	3090105	LOCK / SNAPPER PIN	2
27	AF233-ASM	SWIVEL CHUTE (2 FOOT)	1



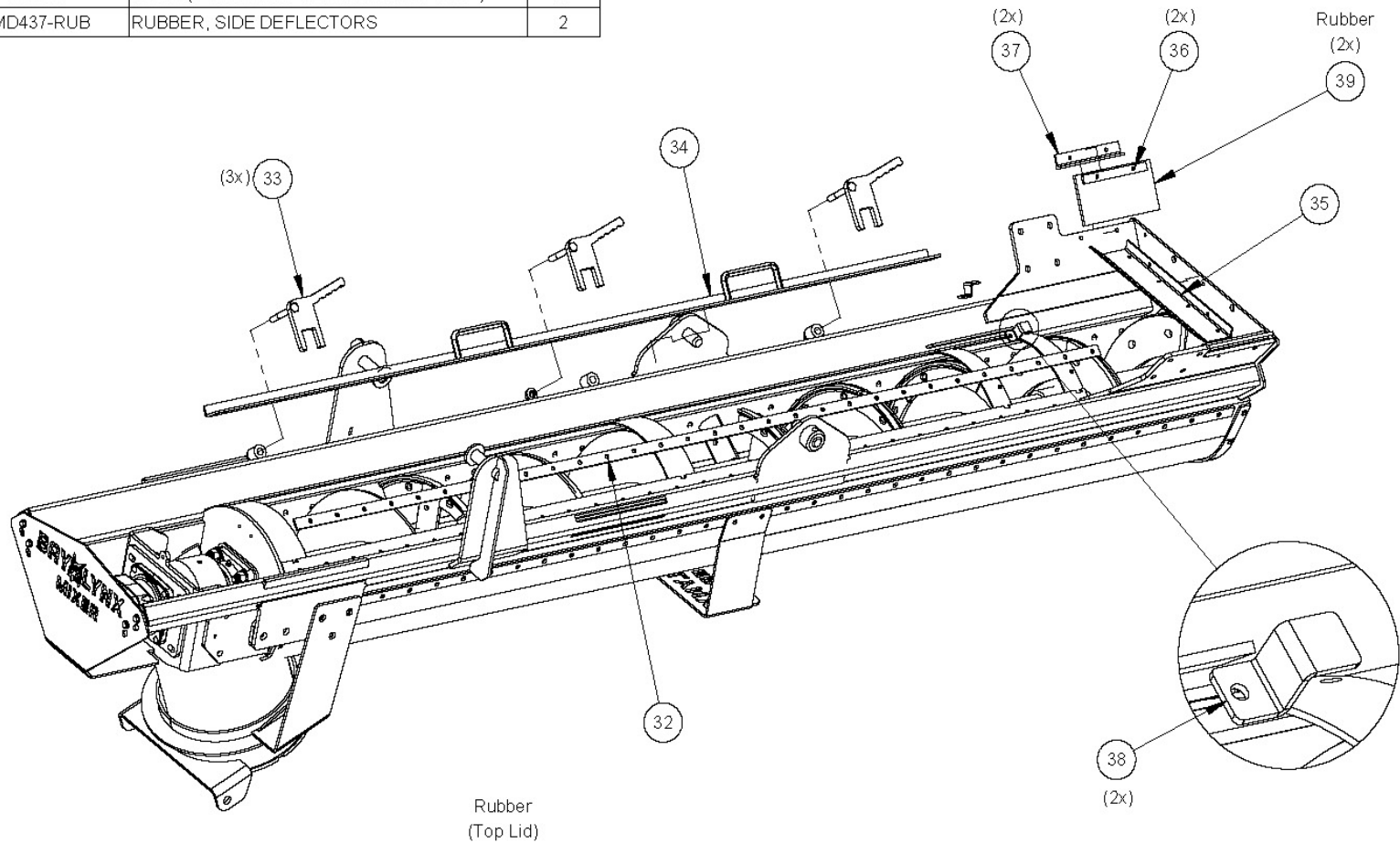
MIX AUGER

ITEM NO.	PART NUMBER	DESCRIPTION	QTY
28	AF432-R	RUBBER, BOTTOM BOOT	1
29	AF452	SIDE PLATE STRAP	2
30	AF428-1	REAR PLATE STRAP	1



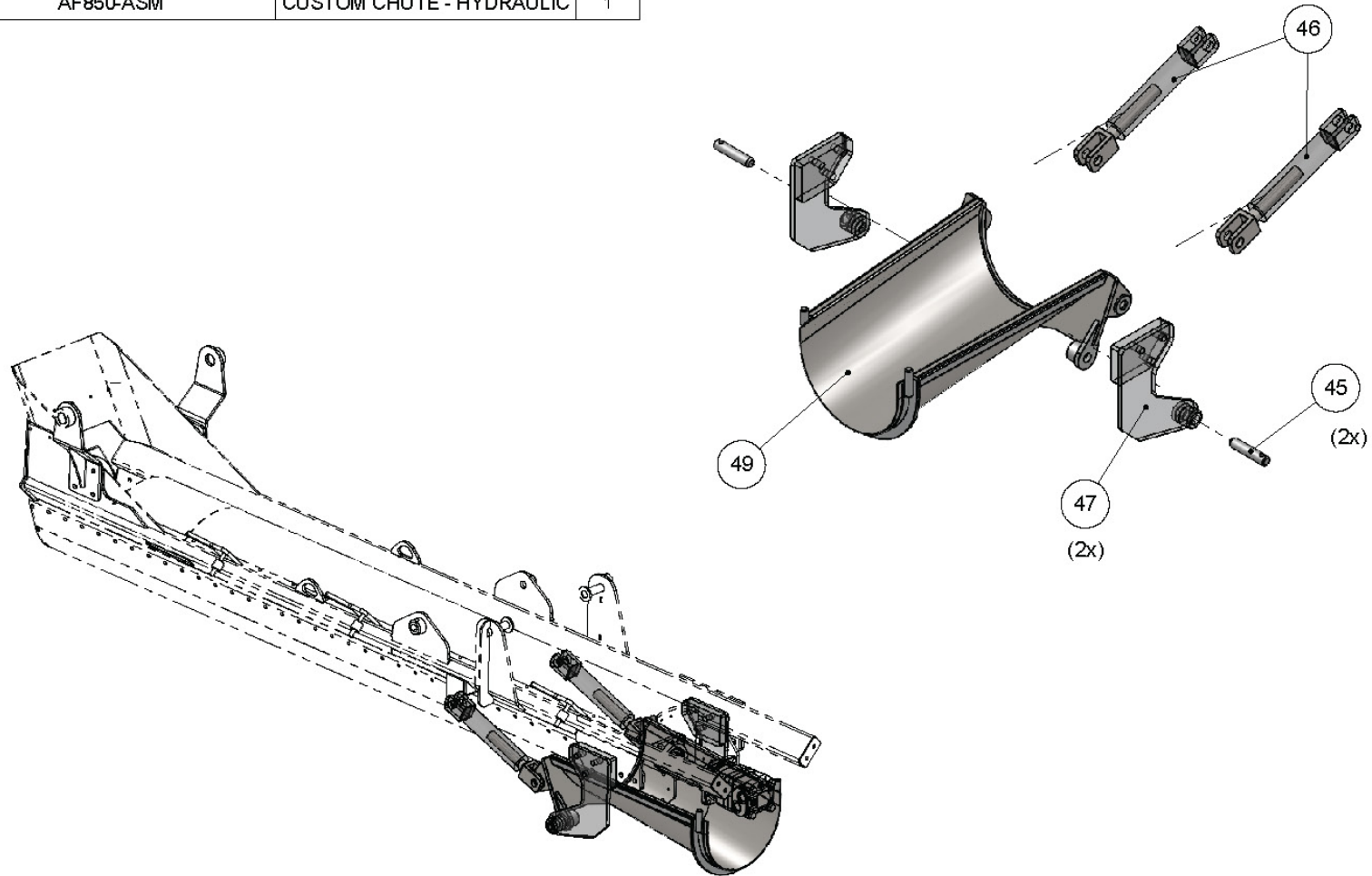
MIX AUGER

ITEM NO.	PART NUMBER	DESCRIPTION	QTY
31	AF434-R	RUBBER, TOP LID	1
32	AF431-1	TOP PLATE STRAP	1
33	AF453-ASM	AUGER TOP LID HANDLE LOCKS	3
34	AF147-S-ASM	AUGER TOP LID STRAP (WITH HANDLES)	1
35	MD432	DEFLECTOR PLATE (REAR)	1
36	MD433	STRAP PLATE (ALUMINUM)	2
37	MD434	DEFLECTOR ANGLE (ALUMINUM)	2
38	MD435	CLIPS (FOR FRONT BOWL RUBBER FLAP)	2
39	MD437-RUB	RUBBER, SIDE DEFLECTORS	2



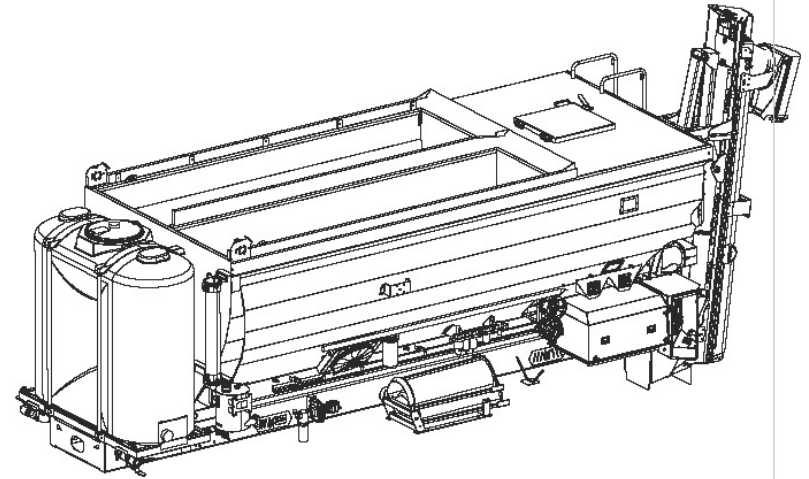
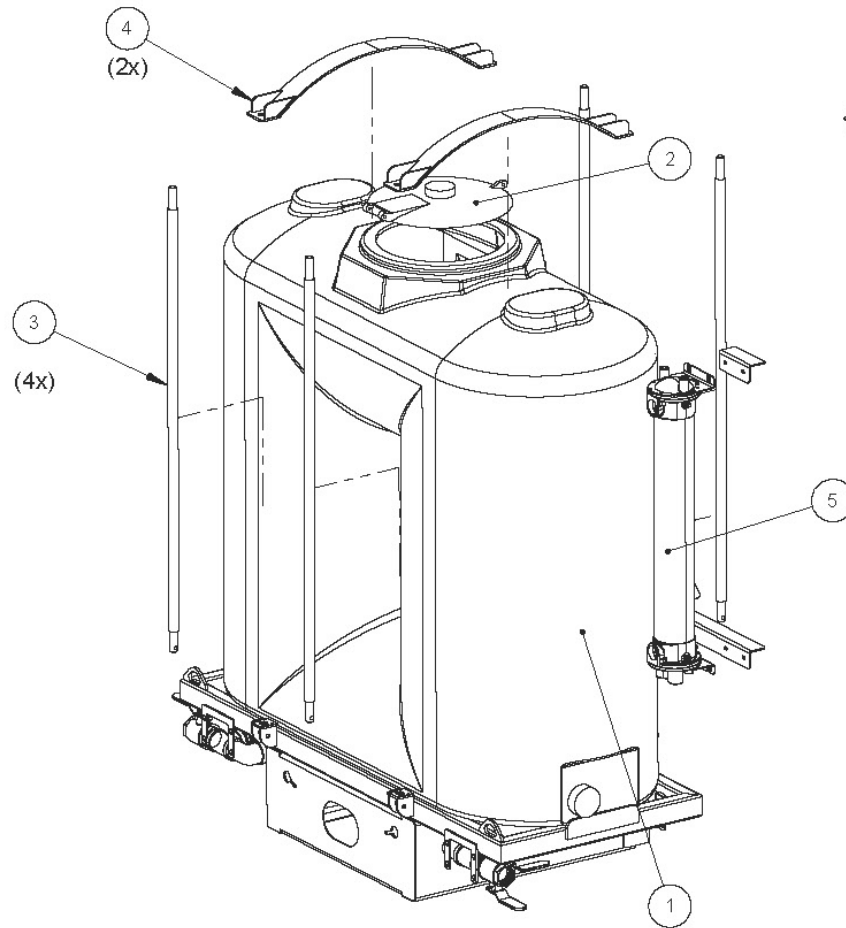
MIX AUGER (HYDRAULIC CHUTE)

ITEM NO.	PART NUMBER	DESCRIPTION	QTY.
45	MSC161	RB, Ø 1" OD	2
46	1080224	CHUTE LIFT CYLINDER	2
47	AF855-R-ASM	BOLT-ON CHUTE ARM	1
48	AF855-L-ASM	BOLT-ON CHUTE ARM (LEFT)	1
49	AF850-ASM	CUSTOM CHUTE - HYDRAULIC	1



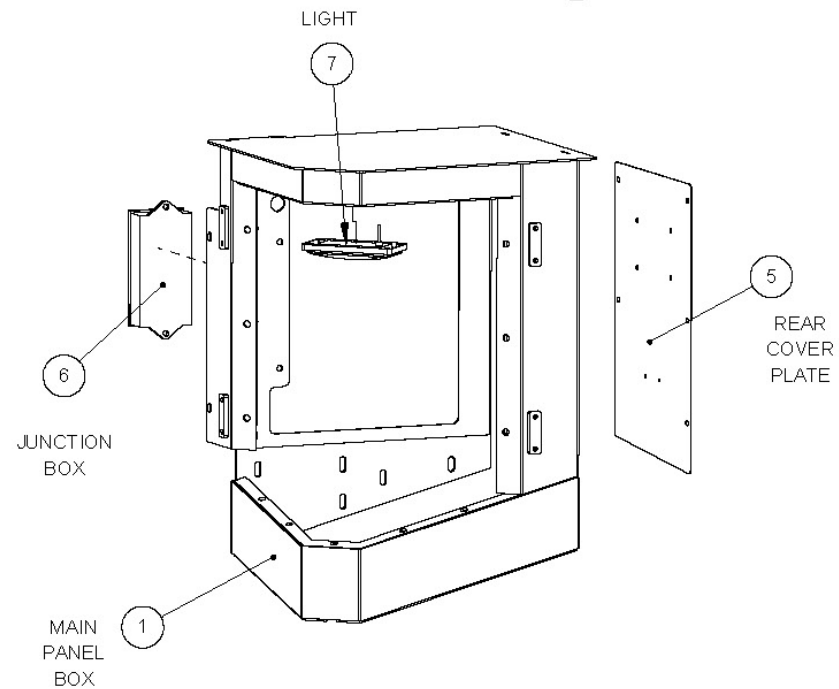
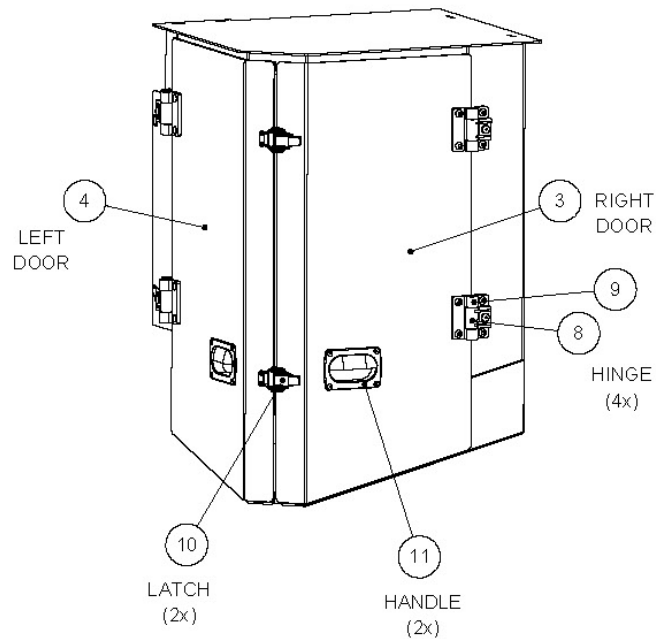
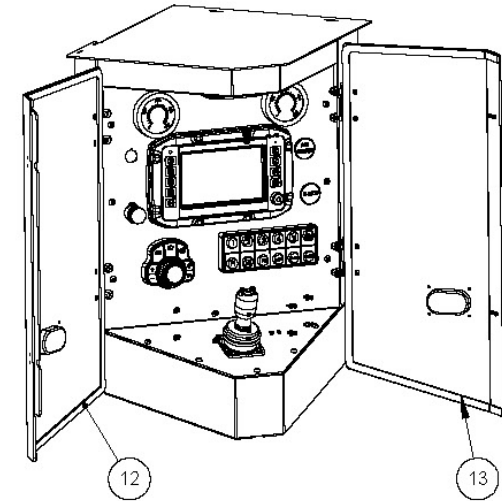
WATER TANK

ITEM NO.	PART NUMBER	DESCRIPTION	QTY
1	1310100	500 GALLON WATER TANK	1
2	1310105	LID - FLIPSTYLE	1
3	WT 107-ASM	WATER TANK HOLD-DOWN RODS	4
4	WT 111-ASM	WATER TANK TOP CLAMPS	2
5	1050312	HEAT EXCHANGER	1



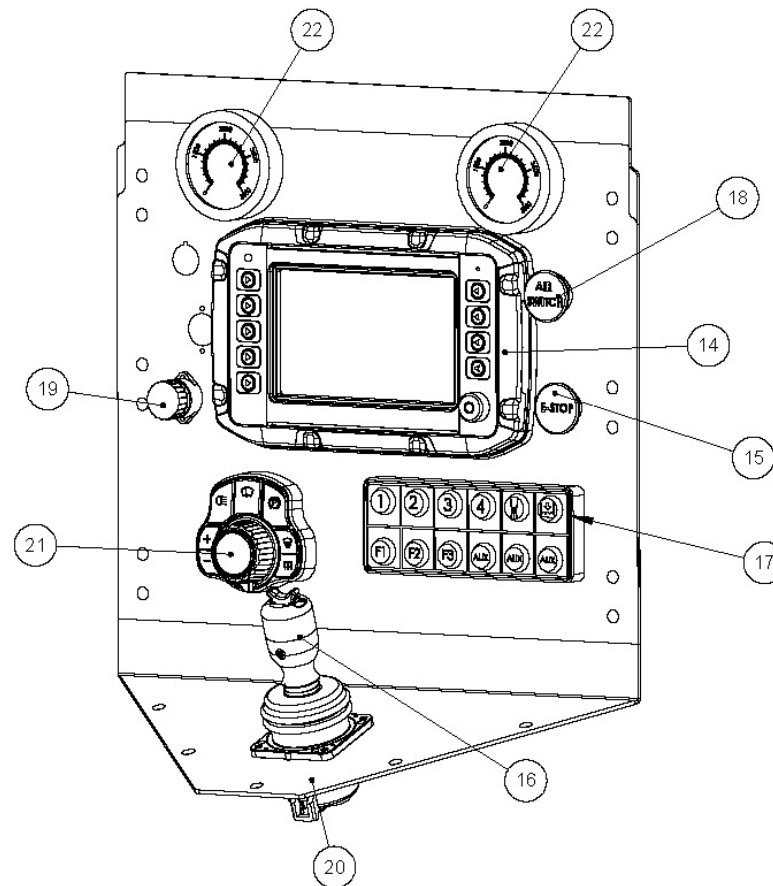
CONTROL PANEL

ITEM NO.	PART NUMBER	DESCRIPTION	QTY.
1	HM365-ASM	MAIN CONTROL PANEL BODY BOX	1
2	HM385-ASM	CONTROL PANEL FRONT PLATE	1
3	HM588	RIGHT DOOR	1
4	HM586-ASM	LEFT DOOR	1
5	HM380	REAR COVER PLATE	1
6	1770241	JUNCTION BOX	1
7	1750112	WHITE LED DOME LAMP	1
8	3090202	BLACK PLASTIC FRICTION HINGE - A	4
9	3090202	BLACK PLASTIC FRICTION HINGE - B	4
10	3090201	LATCH	2
11	3090204	PULL HANDLE	2
12	2550341	1/2" X 5/16" WEATHER STRIPPING	1



CONTROL PANEL

ITEM NO.	PART NUMBER	DESCRIPTION	QTY.
14	1160041	OPERATOR'S CONTROL SCREEN	1
15	1160047	E-STOP BUTTON / SWITCH	1
16	1160048	JOYSTICK	1
17	1160050	KEYPAD	1
18	1205007	4-WAY AIR SWITCH	1
19	1160051	AMPHENOL CONNECTOR	1
20	HM769	DISPLAY PLATE	1
21	1160049	ROTARY BUTTON CONTROL	1
22	1010380	OIL PRESSURE GAUGE	2



CONTROL PANEL

ITEM NO.	PART NUMBER	DESCRIPTION	QTY.
1	1160041	CONTROL PANEL / DISPLAY	1
2	1160047	E-STOP BUTTON / SWITCH	1
3	1160048	JOYSTICK	1
4	1160050	KEYPAD	1
5	1205007	4-WAY AIR SWITCH	1
6	1160051	AMPHENOL CONNECTOR	1
7	PRF002	DISPLAY PLATE	1
9	1010380	OIL PRESSURE GAUGE	2
10	1160049	DANFOSS BUTTON CONTROLS	1
11	1160070	BLINK MARINE/GRAYHILL BUTTON CONTROLS	1

